

## Product sheet

# SyCool Liquid Cooling Evaporator Module - 500 kW

## Data center cooling system



### Standard features

- Fluid pump sized for internal pressure losses
- VFD fluid pump
- Casing with powder-coated finish
- Removable casing panels for ease of internal access
- Complete factory piping with stub outs for fluid and thermosyphon connection
- Multiple fluid-to-refrigerant heat exchanger sizes to optimize performance
- Factory controls including integrated UPS (control power only)
- Options to pair units using left- or right-hand orientation
- Short- or long-side electrical controls for installation versatility

Munters SyCool® Liquid Cooling Evaporator (LCE) system provides fluid cooling options for various liquid-cooled information technology equipment. Since the LCE system works with SyCool standard heat rejection condensers\*, future conversion simply replaces SyCool air-cooling evaporators with the LCE. This flexibility provides operators the ability to accommodate unknown technology with unknown size and operating parameters.



Typical installation: 75% liquid and 25% air cooling

\* Applicable for applications requiring supply liquid up to 95°F.

# Product Sheet: Munters SyCool® Liquid Cooling Evaporator (LCE) Module - 500 kW

## Options

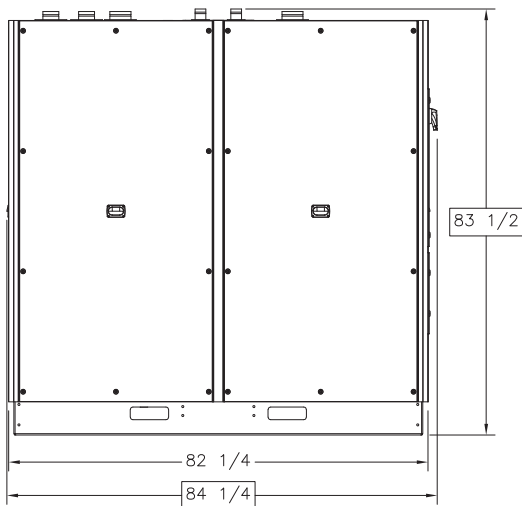
- Mates to SyCool standard condenser for future conversion of air-cooled equipment to liquid (Supply fluid temperature to 95°F)
- Mates to SyCool LCE condenser for current planning and optimal performance (Supply fluid temperature to 113°F)
- External isolation valve kit
- Pump sized for external pressure loss
- Size: 250 kW or 125 kW
- Multiple heat exchanger sizes for various fluid types and temperatures
- Fluid strainer
- 65 kAIC electrical rating
- Dual power feed with automatic transfer switch

## 500 kW LCE performance

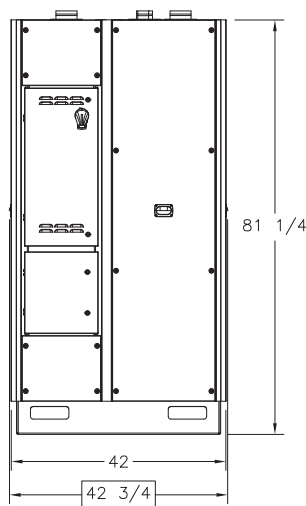
Capacity	Fluid conditions		
	kW	Supply (°F)	Return (°F)
500	75	85	345.5
533	85	95	370.6
536	95	105	375.3
500	75	90	230.7
533	85	100	247.5
536	95	110	250.6
500	75	95	173.3
533	85	105	186.0
536	95	115	188.3

### Notes:

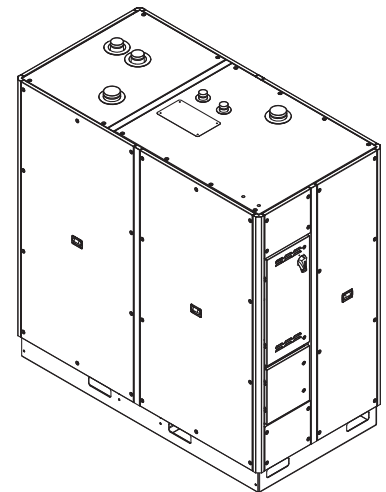
- Performance based on SyCool standard condenser – Contact Munters for LCE condenser performance
- Capacity based on 115°F ambient air and pure water



Front and back



Side



Find your nearest Munters office at [www.munters.com](http://www.munters.com)

Munters reserves the right to make alterations to specifications, quantities, etc., for production or other reasons, subsequent to publication. © Munters AB, 2024

