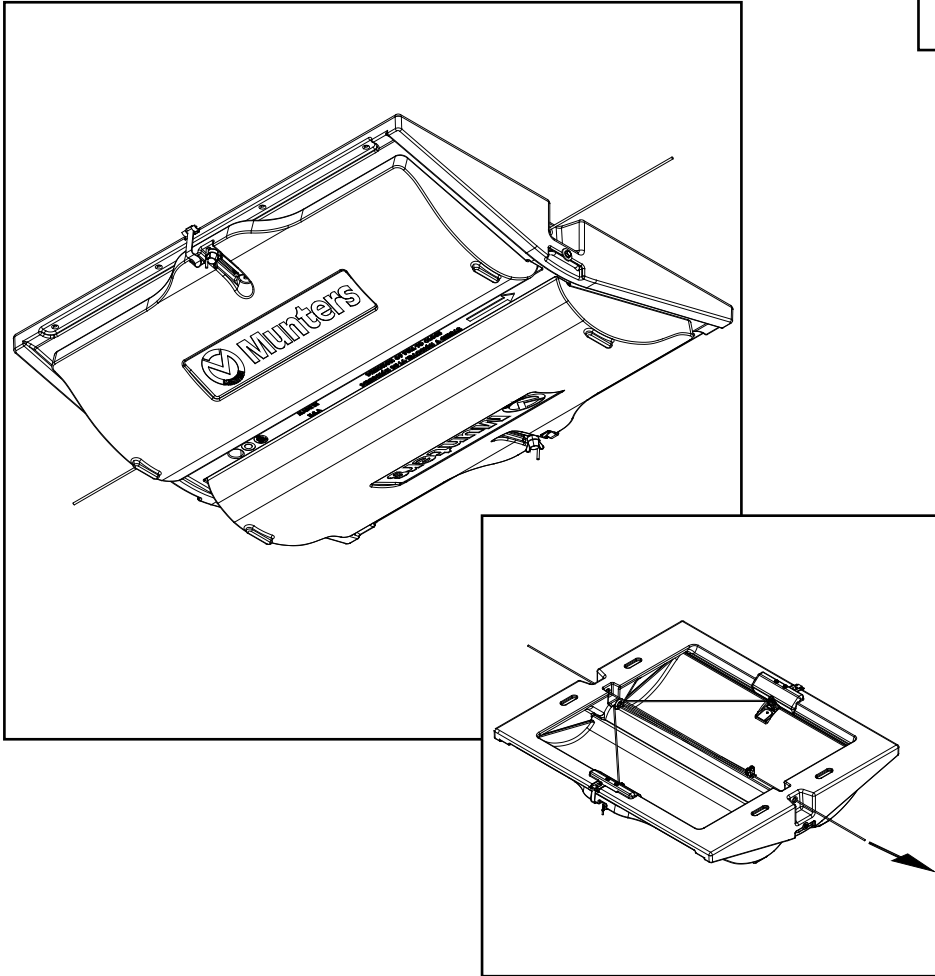


BI28M/BI48M Ceiling Inlet

Instruction Manual



BI28M/BI48M Ceiling Inlet

Bi-Flow, Mechanically Actuated

Models: BI28M • BI28M-01 • BI48M • BI48M-01



BI28M/BI48M Inlet

Instructions for Use and Maintenance

Thank You:

Thank you for purchasing a Munters inlet. Munters equipment is designed to be the highest performing, highest quality equipment you can buy. With the proper installation and maintenance it will provide many years of service.

Please Note:

To achieve maximum performance and insure long life from your Munters product it is essential that it be installed and maintained properly. Please read all instructions carefully before beginning installation.

Warranty:

For Warranty claims information see the "Warranty Claims and Return Policy" form QM1021 available from the [Munters Corporation office at 1-800-227-2376 or by e-mail at aghort.info@munters.com](mailto:aghort.info@munters.com).

Conditions and Limitations:

- Products and Systems involved in a warranty claim under the "Warranty Claims and Return Policy" shall have been properly installed, maintained and operated under competent supervision, according to the instructions provided by Munters Corporation.
- Malfunction or failure resulting from misuse, abuse, negligence, alteration, accident or lack of proper installation or maintenance shall not be considered a defect under the Warranty.

Index

Chapters	Page
1. Unpacking the Equipment	4
1.1 Parts List	4
1.2 Inlet Dimensions	4
2. Installation Instructions	5
2.1 Framing	5
2.2 Inlet Mounting	6
3. Latch Operation	9
4. Cabling	10
5. Performance Data	12
6. Exploded View and Parts List	13

Unpacking the Equipment

1.

1.1 Parts List

Before beginning installation, check the overall condition of the equipment. Remove packing materials, and examine all components for signs of shipping damage. Any shipping damage is the customer's responsibility and should be reported immediately to your freight carrier.

Each BI28M/BI48M Inlet includes:

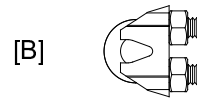
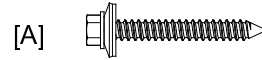
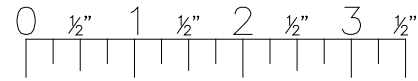
- 1 - Plastic Frame with 2 doors attached
- 1 - Insulation Stop, 12" tall
- 1 - Fiberglass Rod (BI48M only)
- 1 - Hardware Package as follows

HP1240 for BI28M Inlets

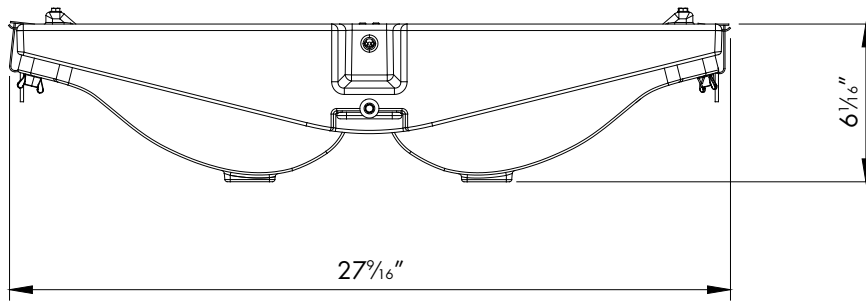
ID	Qty.	Cat. No.	Description
[A]	8	KS1402	#9-15 x 1.5" Hex Head Screw
[B]	1	AC1381	1/8" Dia. Cable Clamp, ZP

HP1248 for BI48M Inlets

ID	Qty.	Cat. No.	Description
[A]	12	KS1402	#9-15 x 1.5" Hex Head Screw
[B]	1	AC1381	1/8" Dia. Cable Clamp, ZP
[C]	4	KX1003	1/4" Dia. Retainer Clips, SS

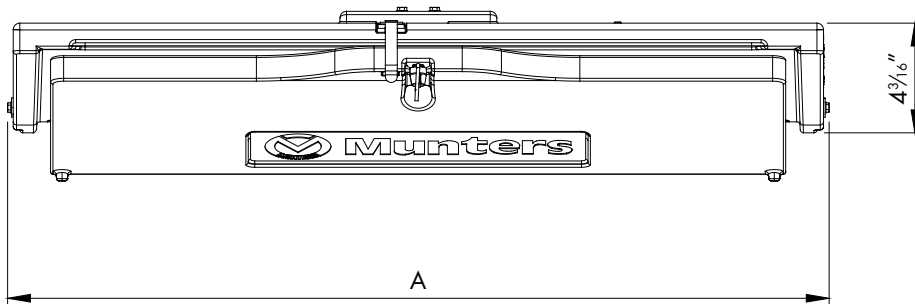


1.2 Inlet Dimensions



End View

Inlet	A
BI28	31 7/16"
BI48	52 7/16"



Side View

Installation Instructions

2.

2.1 FRAMING

Step 1

Construct a framed opening in ceiling according to Chart A and fasten to trusses or bracing between trusses. Trim out framing with 'J'-trim if a metal ceiling is used. See Figure 1A and 1B. If inlet is being installed in a house with a Tri-Ply ceiling, construct frame as shown in Figure 1C.

Chart A

Inlet	Width	Length
BI28	25½"	25½"
BI48	25½"	46½"

⚠ IMPORTANT

If installing inlets near heaters, it is recommended to install the BI28/BI48 inlet at a location far enough from heaters that will give a maximum temperature of 150°F. This should be approximately 2-3 ft. from the heater.

Step 2

The hardware should already be installed as shown in Figure 2. The Lift Line should be turned towards actuator and Eye Bolt will be away from actuator.

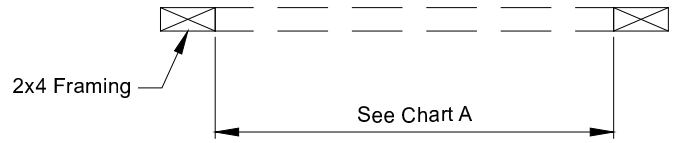


Figure 1A

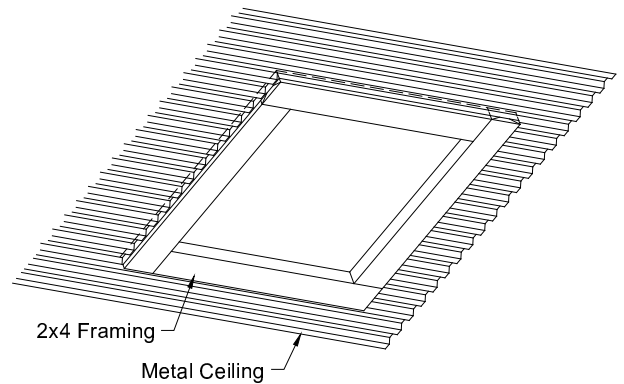


Figure 1B

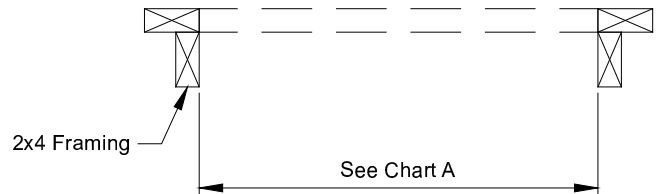


Figure 1C

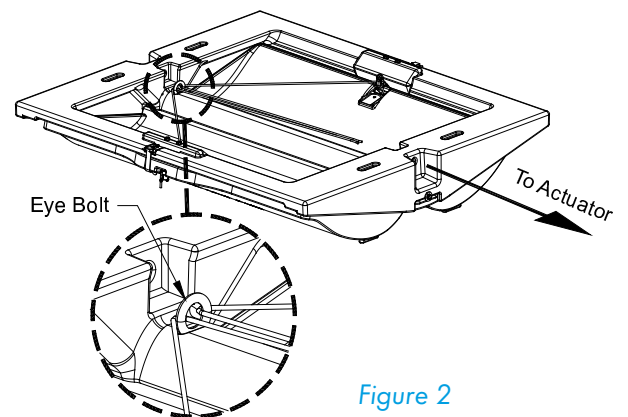


Figure 2

2.2 Inlet Mounting

Step 3A

For the BI28, install provided Insulation Stop into framed opening as shown using screws or staples (not provided). See Figure 3A.

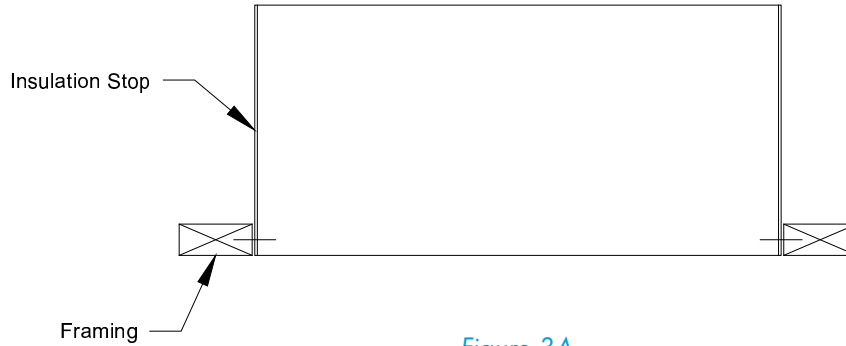


Figure 3A

Step 3B

For the BI48, find the center of the long side of framing and start installing Insulation Stop 1 1/2" from center, so that Insulation Stop overlaps center of opening. When Insulation Stop is completely installed the 2 ends of Insulation Stop should overlap by 3" and the center of overlap should be at the center of long side of framing. Use screws or staples (not provided) to fasten Insulation Stop in place. See Figure 3A and 3B.

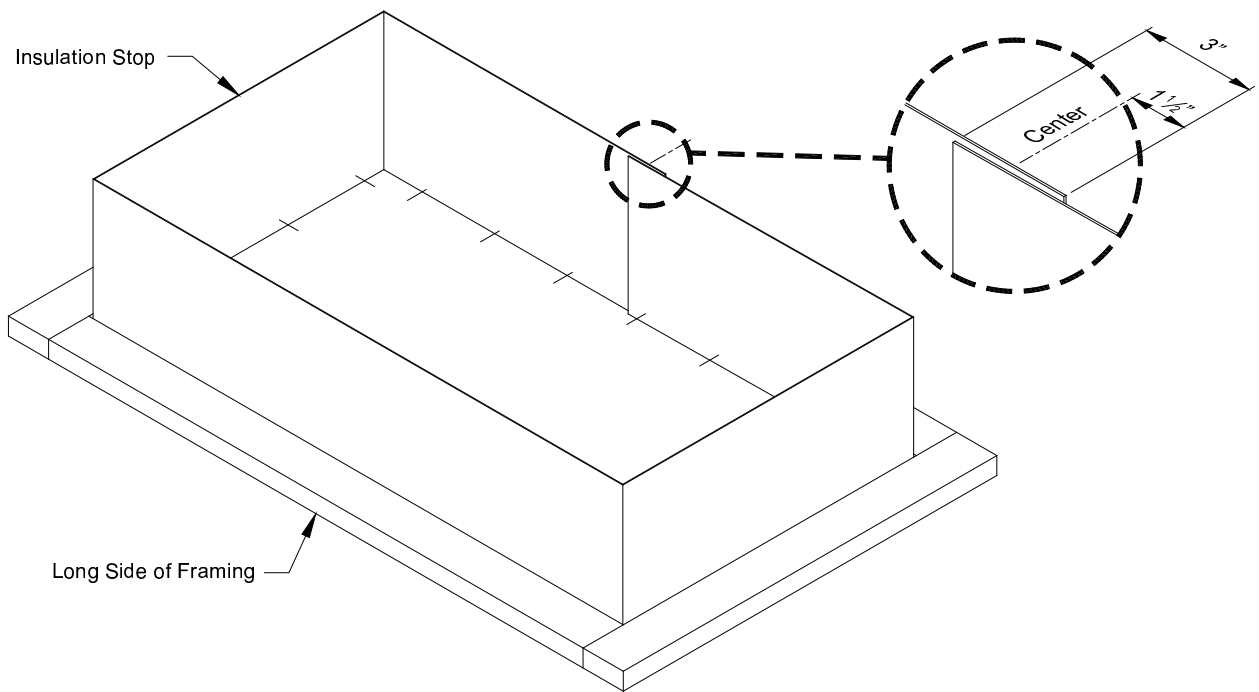


Figure 3B

Step 3C

At the center of the long side of Insulation Stop, $\frac{1}{2}$ " down from top, drill or punch a $\frac{1}{4}$ " Dia. hole on each side of Insulation Stop. See Figure 3C.

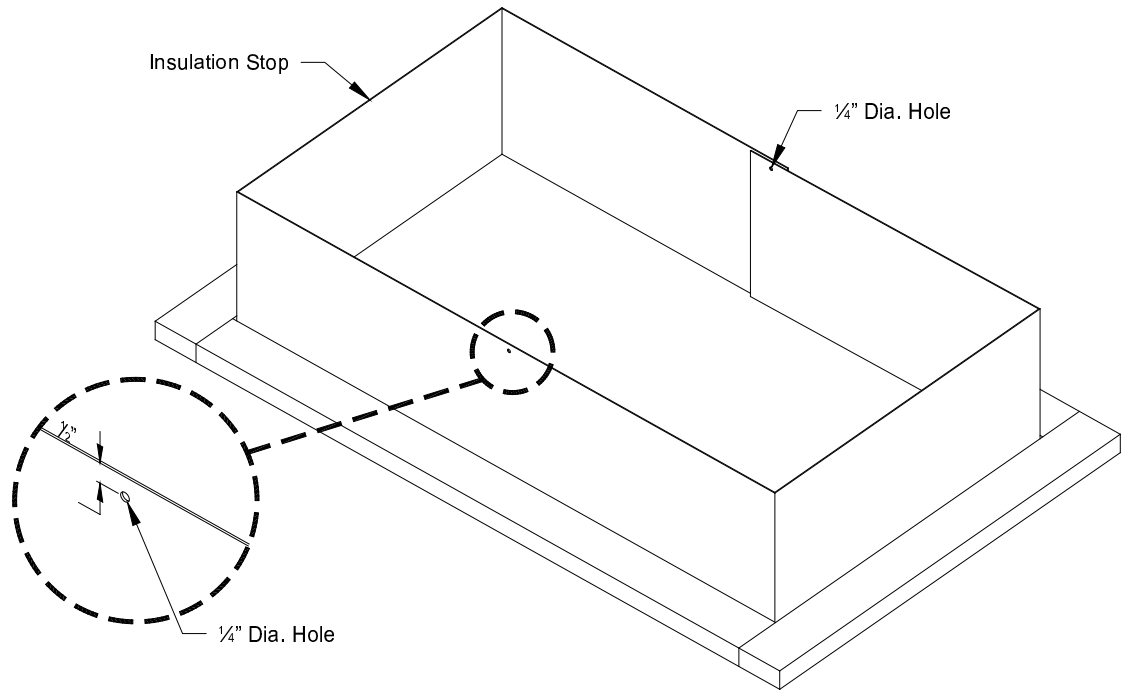


Figure 3C

Step 3D

Install (1) Retaining Clip [C] on each end of Fiberglass Rod. The Retaining Clip should be $1\frac{1}{2}$ " from end of rod. Insert one end of rod through the new hole in Insulation Stop from inside out. Insert other end of rod through hole in opposite side of Insulation Stop. Secure Rod in place with a Retaining Clip [C] on each end of Rod, so that Insulation Stop is between 2 of the clips. See Figure 3D.

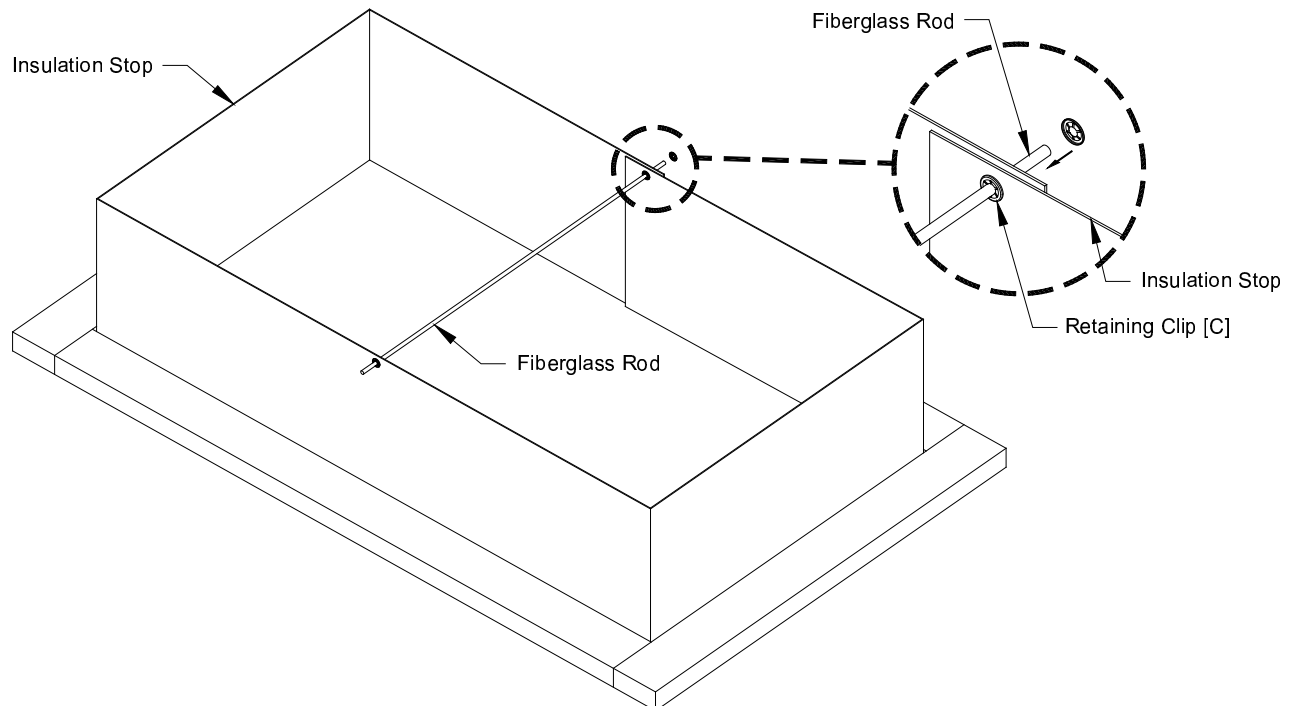


Figure 3D

Step 4

Apply bead of caulk around top of inlet as shown in *Figure 4A*. Position inlet into framed opening and attach inlet using Hex Head Screws [A] provided, (8) for BI28, (12) for BI48. *See Figure 4B*. Be careful not to over tighten as this may pull the Inlet Frame out of shape.

Step 5

To ensure an airtight fit, caulk around outside of 2x4 Framing and Inlet Frame.

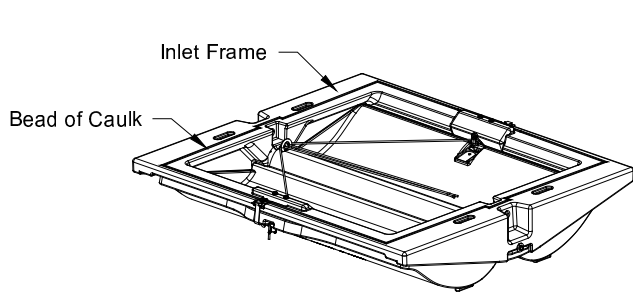


Figure 4A

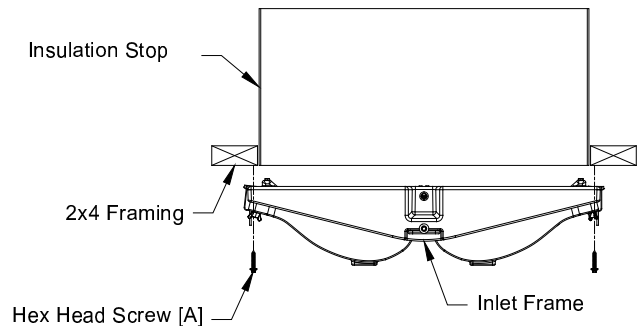


Figure 4B

Step 6

Proceed to routing main actuator cable or rod through holes in Inlet Frame. It is required to utilize a spring or weight on actuator cable end opposite actuator. Once the cable is routed and the actuator is in the open position, begin connecting the Lift Lines from each inlet door to the actuator cable using Cable Clamp [B] provided. *See Figure 5*.

Step 7

After Lift Lines for all inlets are connected and doors are adjusted as needed, caulk the hole in the door for the Lift Line to prevent air leaks. *See Figure 5*.

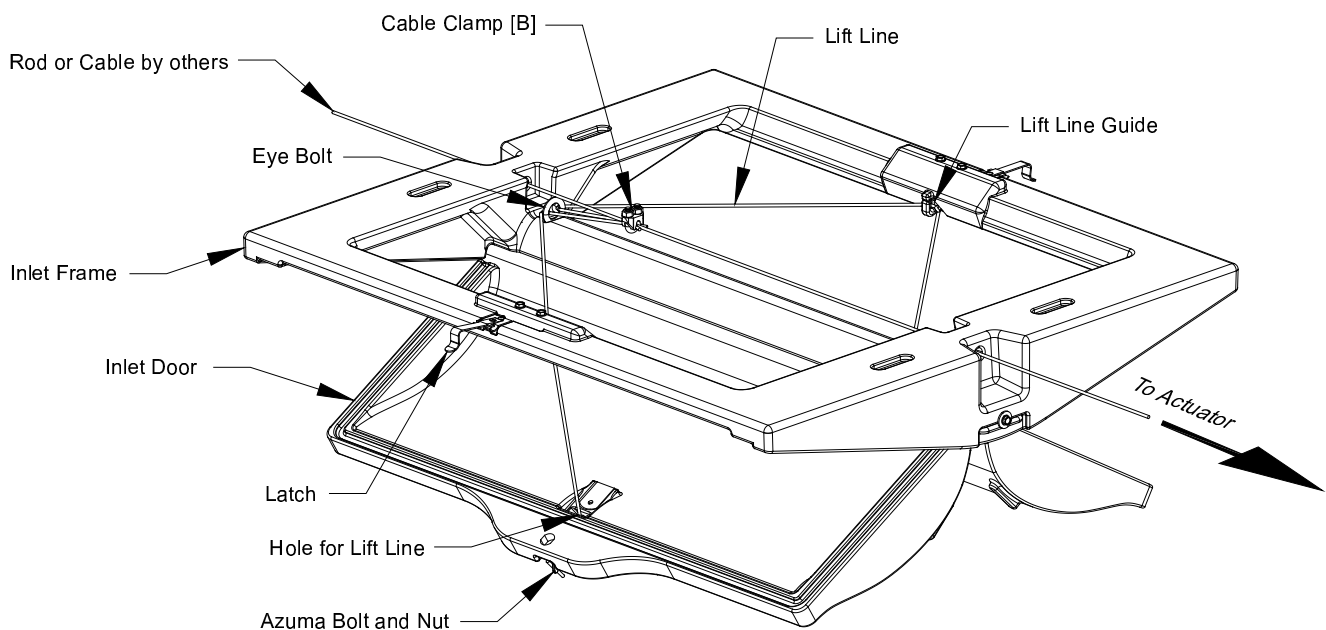


Figure 5

Latch Operation

3.

Step 8

Latch is pre-installed near center of door. Rotate latch upward to unlock and downward to lock. When inlet is in normal operation, be sure latch is in up position so it does not interfere with door closing. See [Figure 6A](#) and [6B](#).

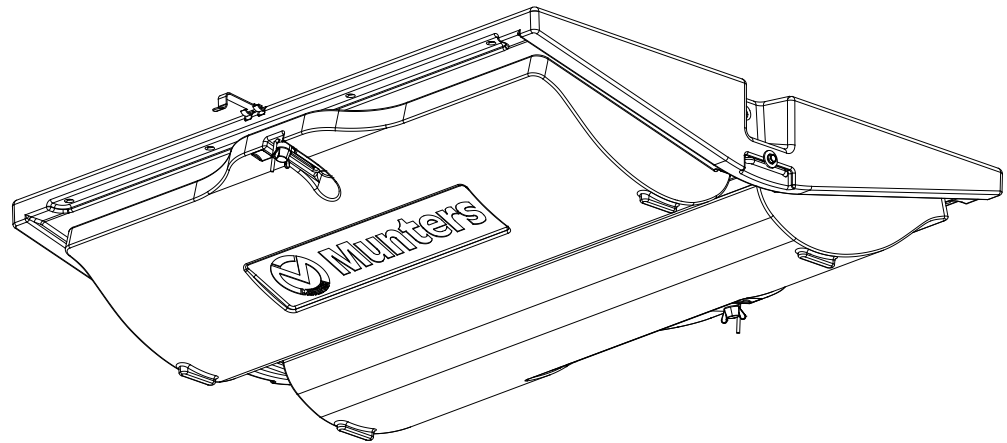


Figure 6A
Latch Shown in Open Position

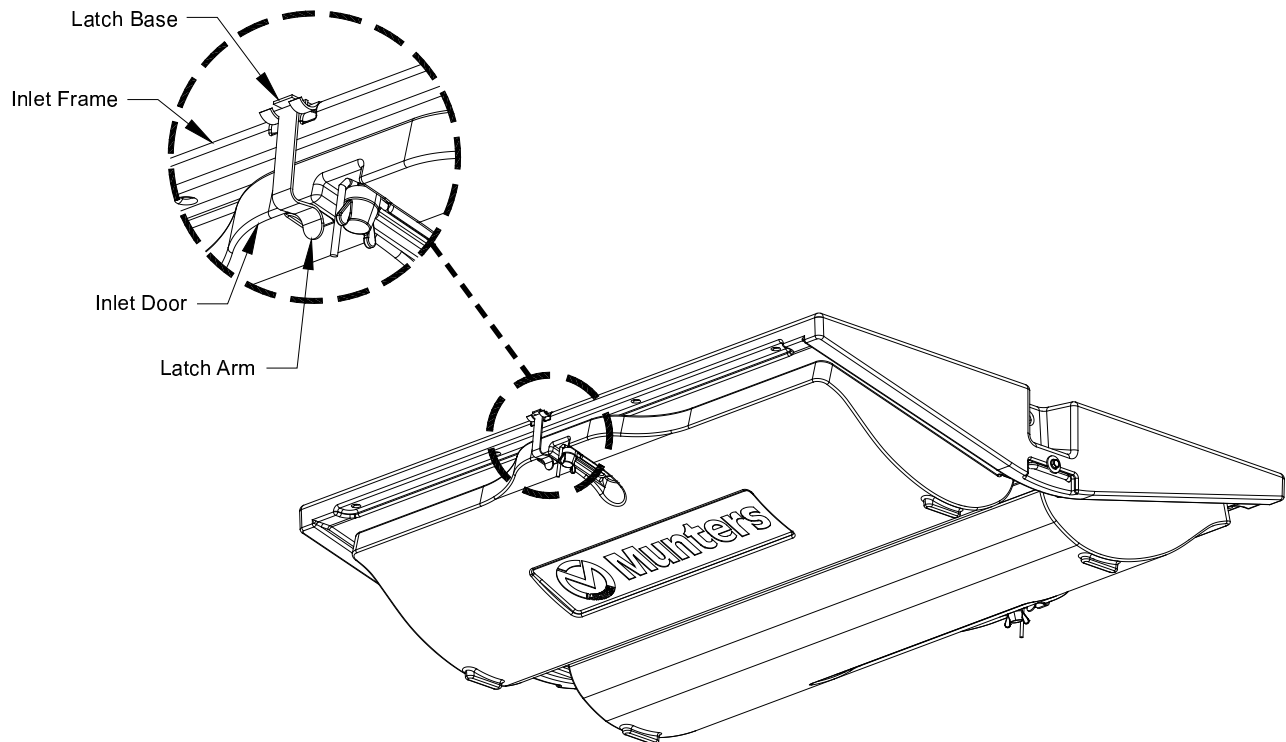


Figure 6B
Latch Shown in Closed Position

Step 9

Attach pulleys in line with the main rod or cable running through each BI28/BI48. See Figure 7A and 7B.

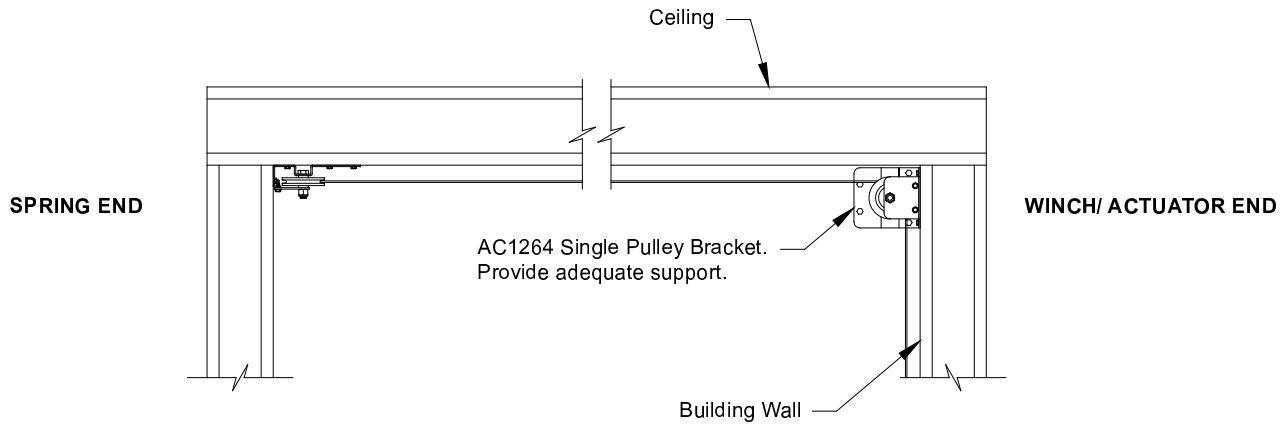


Figure 7A

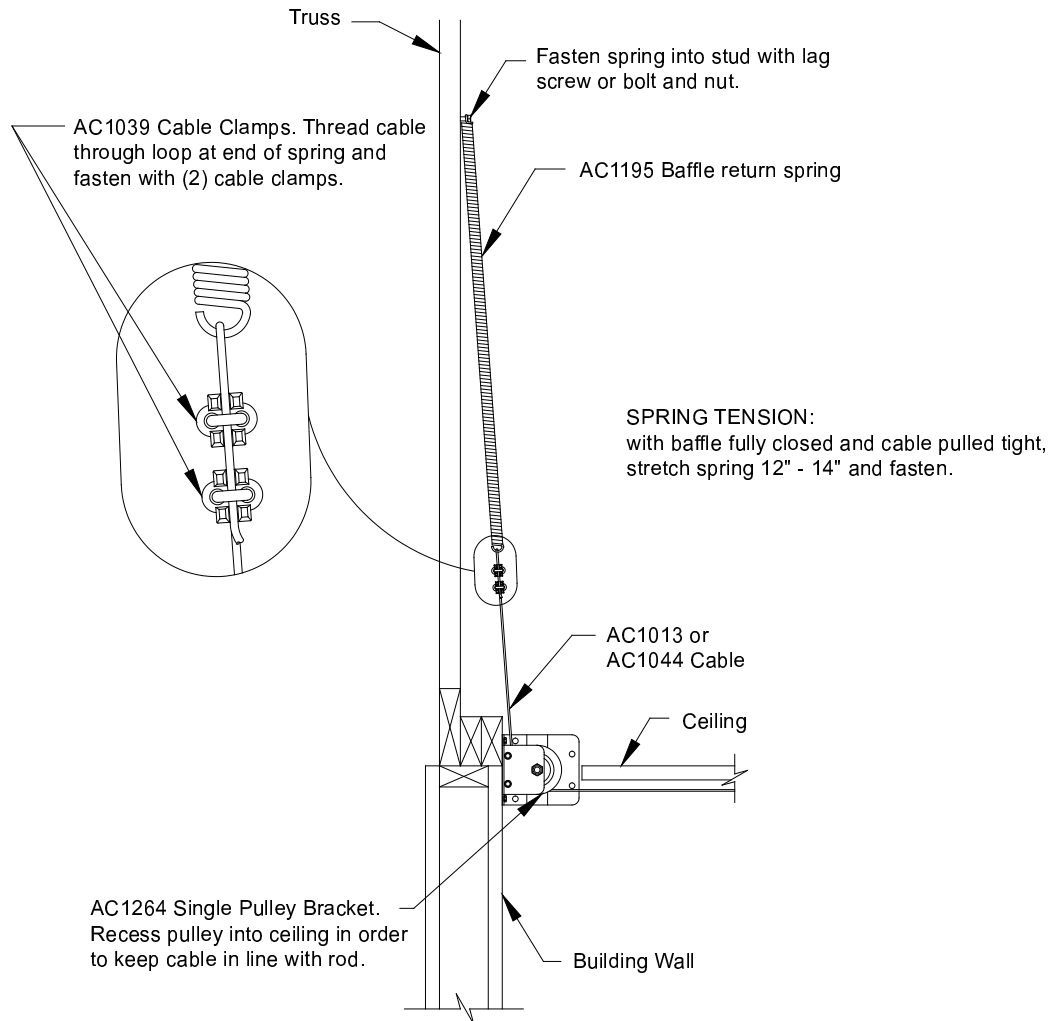


Figure 7B

Step 10

On each end of the run of BI28/BI48 inlets run a cable through pulleys to winch or actuator on one end and to weights or return spring on other end.

See Figure 7A, 7B and 8.

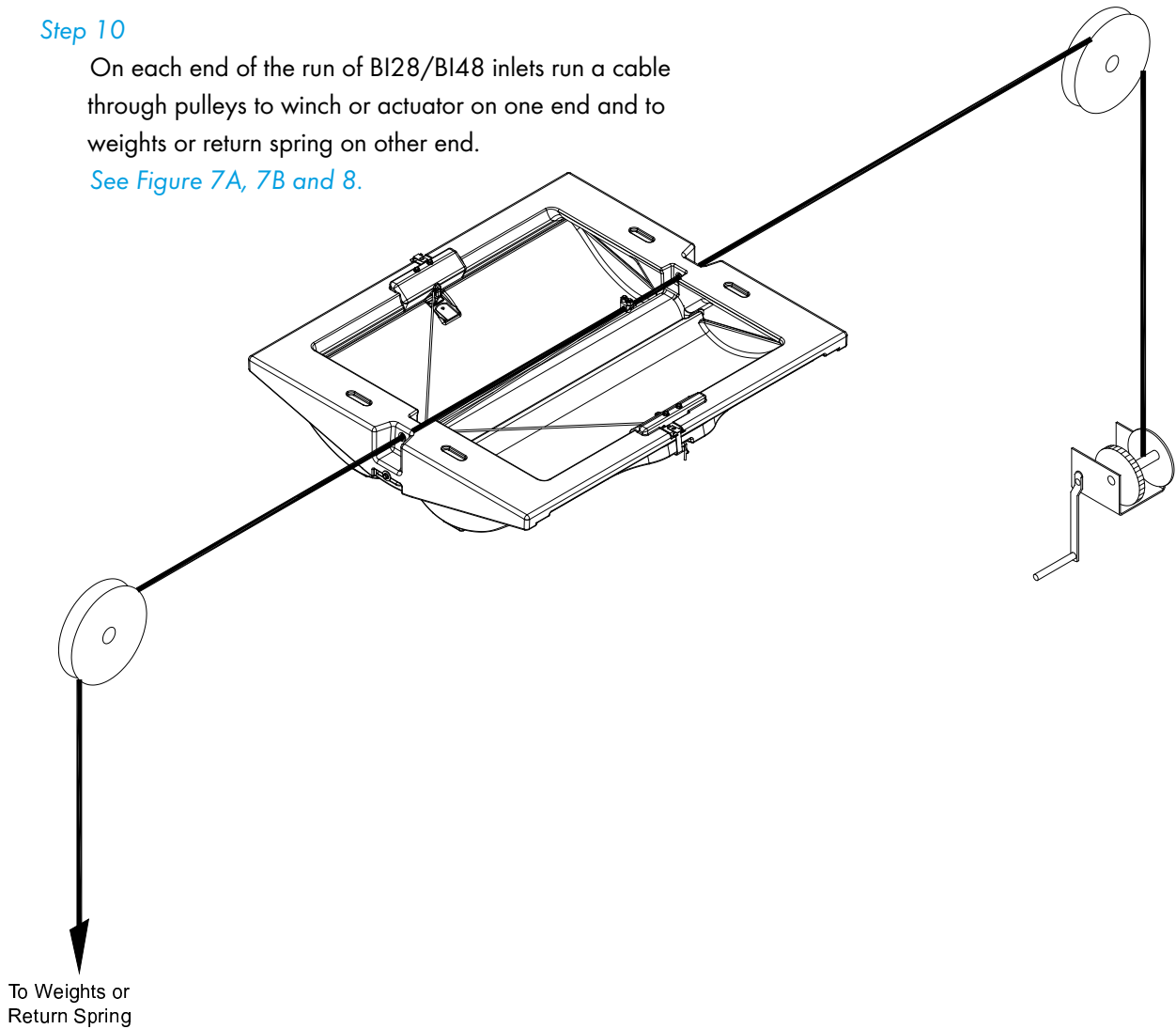
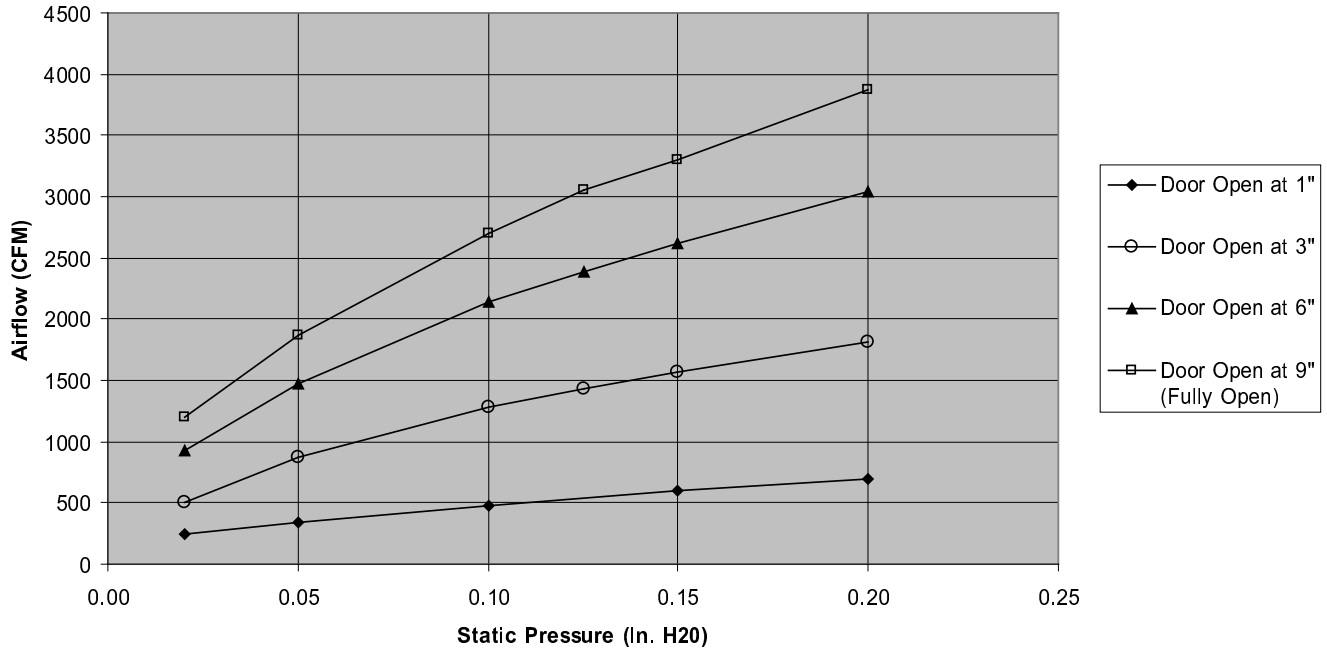


Figure 8

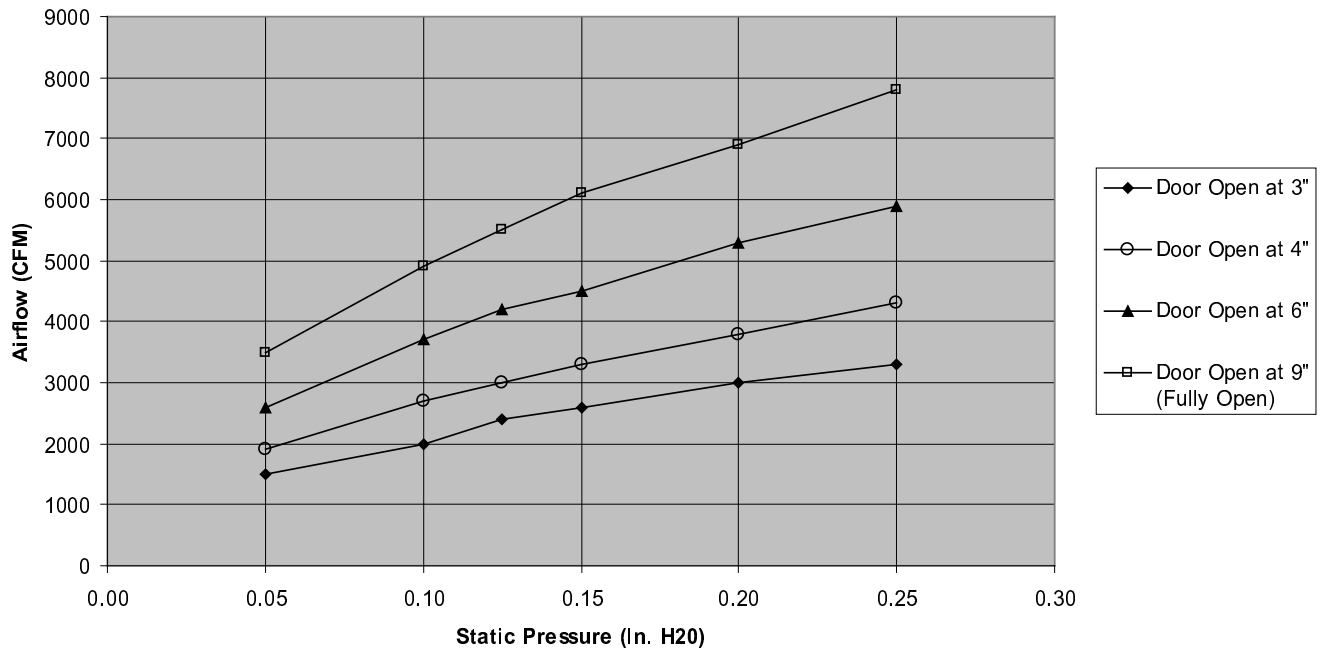
Step 11

With the winch or actuator at its fully closed position, check and readjust each BI28/BI48 door tightly closed. Use winch or actuator to open and close inlets a few times to make sure the doors open and close smoothly

BI28M, BI28M-01

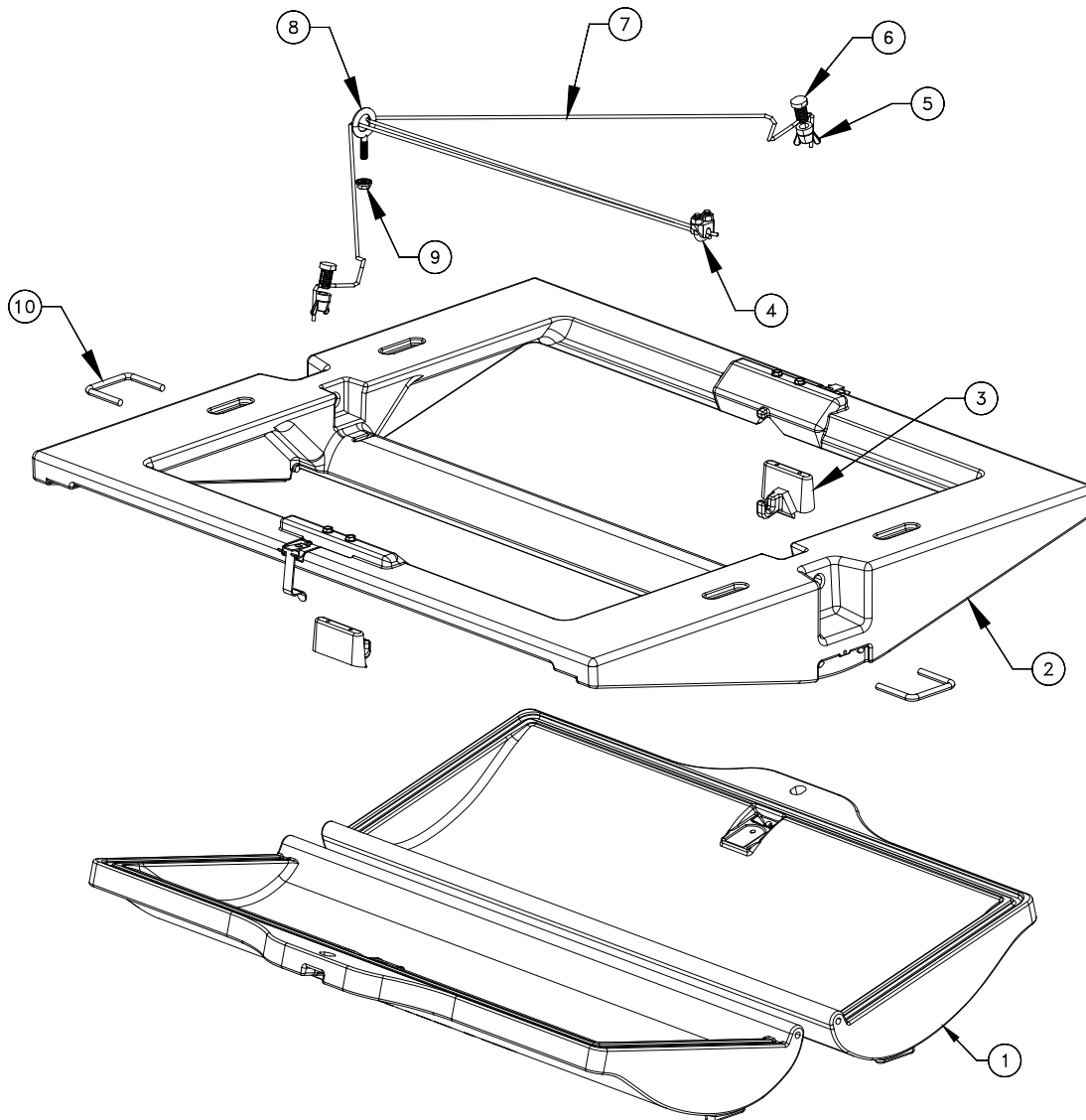


BI48M, BI48M-01



Exploded View and Parts List

6.



Item	Cat. No.		Part Name/Description	Qty
	BI28	BI48		
1	AC2635	AC2646	Inlet Door, Black Plastic	2
	AC2635-01	AC2646-01	Inlet Door, w/Insulation, Black, Plastic	2
2	AC2630	AC2641	Inlet Frame, Black Plastic	1
3	AC2640	AC2640	Lift Line Guide Insert, BI28/BI48, Black Plastic	2
4	AC1381	AC1381	1/8" Dia. Cable Clamp	1
5	AC0212	AC0212	Azuma Nut Only, Wing type, Blue Plastic	2
6	AC0211	AC0211	Azuma Bolt only, Split type, Blue Plastic	2
7	AC1009	---	1/8" x 36"L. Braided Lift Line; White	2
	---	AC1014	1/8" x 66"L. Braided Lift Line; White	2
8	KS2755	KS2755	1/4" - 20 x 2" L. Closed Eye Bolt, Stainless Steel	1
9	KN0702	KN0702	1/4" - 20 Hex Serrated Flange Nut, Stainless Steel	1
10	AC2645	AC2645	BI28/BI48 Inlet Door Hinge Pin, Stainless Steel	2

BI28/BI48 Inlets are developed and produced by Munters Corporation, Lansing, Michigan U.S.A. 1-800-227-2376



Munters Europe AB, Isafjordsgatan 1, P.O. Box 1150, SE-164 26 Kista, Sweden. Phone +46 08 626 63 00, Fax +46 8 754 56 66.

Munters Corporation 2691 Ena Drive Lansing, MI 48917 U.S.A. Phone +1 800-227-2376, Fax +1 517-676-7078

www.munters.us

Australia Munters Pty Limited, Phone +61 2 6025 6422, **Brazil** Munters Brasil Industria e Comercio Ltda, Phone +55 41 3317 5050, **Canada/US** Munters Corporation Lansing, MI Phone +1 517 676 7070, **China** Munters Air Treatment Equipment (Beijing) Co. Ltd, Phone +86 10 80 481 121, **Denmark** Munters A/S, Phone +45 9862 3311, **India** Munters India, Phone +91 20 3052 2520, **Indonesia** Munters, Phone +62 818 739 235, **Italy** Munters Italy S.p.A., Chiusavecchia, Phone +39 0183 52 11, **Japan** Munters K.K., Phone +81 3 5970 0021, **Korea** Munters Korea Co. Ltd., Phone +82 2 761 8701, **Mexico** Munters Mexico, Phone +52 818 262 54 00, **Russia** Munters AB, Phone +7 812 448 5740, **Singapore** Munters Pte Ltd., Phone +65 744 6828, **South Africa and Sub-Sahara Countries** Munters (Pty) Ltd., Phone +27 11 997 2000, **Spain** Munters Spain S.A., Phone +34 91 640 09 02, **Sweden** Munters AB, Phone +46 8 626 63 00, **Thailand** Munters Co. Ltd., Phone +66 2 642 2670, **Turkey** Munters Form Endüstri Sistemleri A.Ş, Phone +90 322 231 1338, **USA** Munters Corporation Lansing, MI Phone +1 517 676 7070, **Vietnam** Munters Vietnam, Phone +84 8 3825 6838, **Export & Other countries** Munters Italy S.p.A., Chiusavecchia Phone +39 0183 52 11