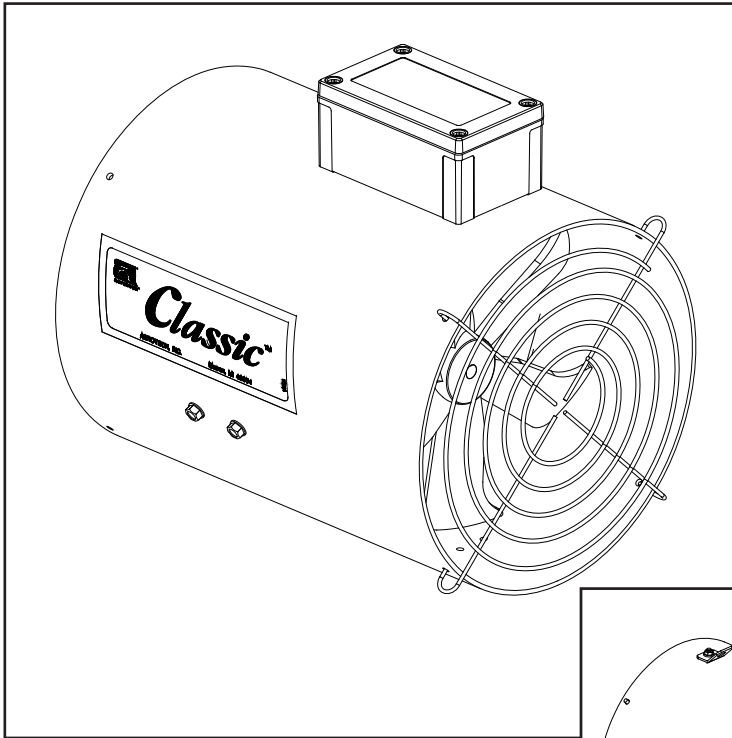
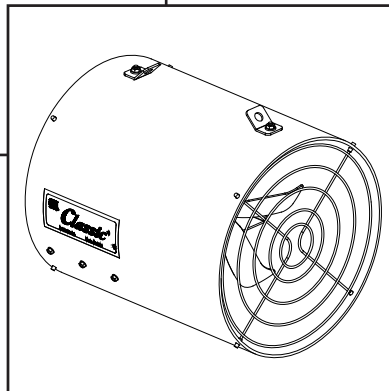


Instruction Manual

10" and 15" CLASSIC Pipe Fans



AT10AP



AT15AP

Classic Pipe Fans Direct Drive

Models: AT10AP1 • AT10AP2 • AT10SP1 • AT10SP2 • AT15AP



Classic Pipe Fan Direct Drive 10" and 15" Fans

Instructions for Use and Maintenance

Thank You:

Thank you for purchasing a Munters Classic Pipe Fan. Munters equipment is designed to be the highest performing, highest quality equipment you can buy. With the proper installation and maintenance it will provide many years of service.

Please Note:

To achieve maximum performance and insure long life from your Munters product it is essential that it be installed and maintained properly. Please read all instructions carefully before beginning installation.

Warranty:

For Warranty claims information see the "Warranty Claims and Return Policy" form QM1021 available from the [Munters Corporation office at 1-800-227-2376](http://Munters Corporation) or by e-mail at aghort.info@munters.com.

Conditions and Limitations:

- Products and Systems involved in a warranty claim under the "Warranty Claims and Return Policy" shall have been properly installed, maintained and operated under competent supervision, according to the instructions provided by Munters Corporation.
- Malfunction or failure resulting from misuse, abuse, negligence, alteration, accident or lack of proper installation or maintenance shall not be considered a defect under the Warranty.

Index

Chapters	Page
1. Unpacking the Equipment	4
1.1 Parts List	4
1.2 Fan Dimensions	4
2. Installation Instructions	5
3. Electrical Wiring	6
4. Operation	7
5. Maintenance	8
6. Exploded View and Parts List	9-10

Unpacking the Equipment

1.

Before beginning installation, check the overall condition of the equipment. Remove packing materials, and examine all components for signs of shipping damage. Any shipping damage is the customer's responsibility and should be reported immediately to your freight carrier. Fan is shipped complete with all accessories.

1.1 Parts List

Each Fan includes:

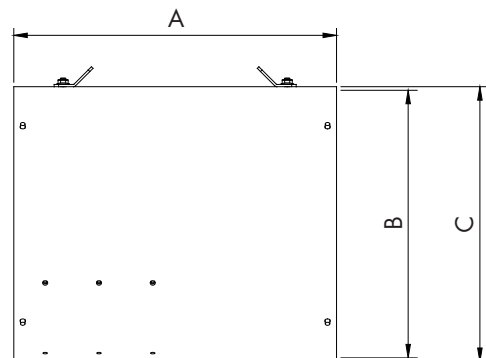
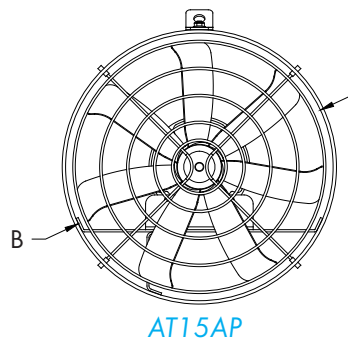
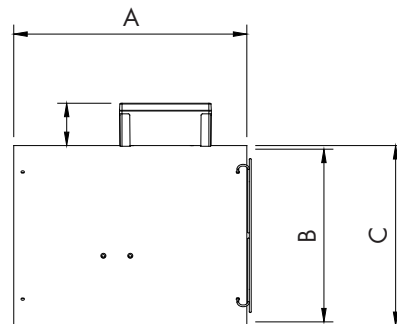
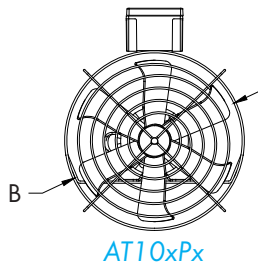
1 - Pipe Fan with Guards

1.2 Fan Dimensions

Fan Specifications:

Fan:	AT10AP1, SP1	AT10AP2, SP2	AT15AP
Hertz:	60/50	60/50	60/50
Voltage:	115/110VAC	230/220VAC	115 - 208-230/110 - 190-220VAC
Phase:	1	1	1

Size	Prop. Dia.	A	B (I.D.)	C (O.D.)	Wall Thickness
10" AP	9"	13"	9.94"	10.20"	0.13"
10" SP	9"	13"	9.90"	10.50"	0.30"
15" AP	14"	18"	14.92"	16.30"	0.19"



Installation Instructions

2.

2.1 Install

Step 1

Stub pit pipe through pit wall approximately 6", then install 'Y' fitting, a 45° elbow and a cap as shown in [Figure 1](#). A short piece must be installed between 'Y' fitting and 45° elbow.

Step 2

Install 10" fan into 45° elbow. Fan must be level and have 12" clearance below fan to ground level..
[See Figure 1](#).

If installing lengths of pipe in pit for ventilation proceed to [Step 3](#).

Step 3

For pit pipe hole size and spacing see your Munters Ventilation System Drawing or contact your Munters Regional Representative.

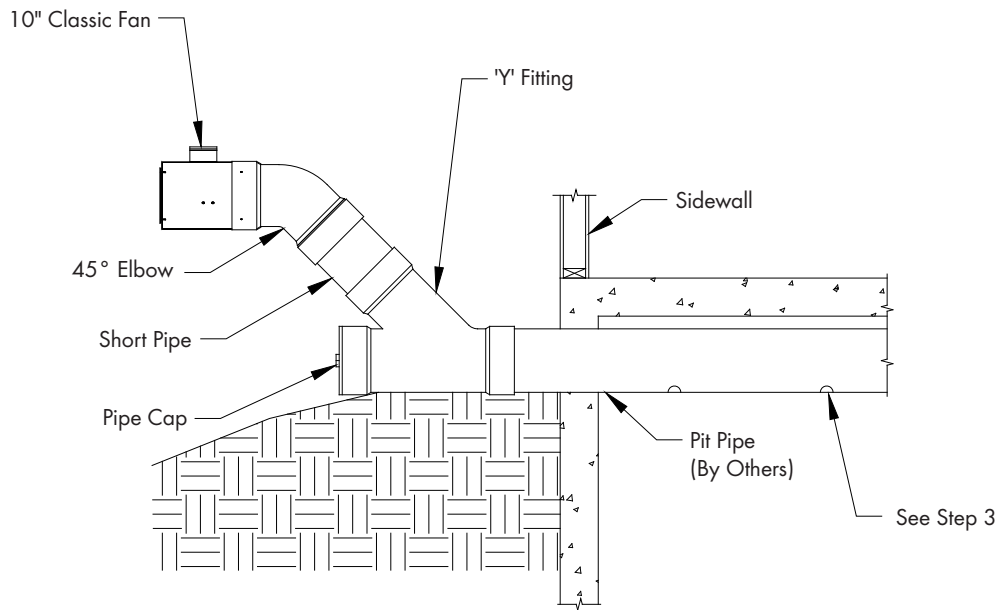


Figure 1

All wiring should be installed in accordance with National, State, and Local electrical codes. Fans used to ventilate livestock buildings or other rooms where continuous air movement is essential should be connected to individual electrical circuits, with a minimum of two circuits per room. For electrical connection requirements, refer to diagram on motor nameplate and to information enclosed with the Munters environmental control to be used. After wiring check for proper motor rotation.

Single Phase Fans: motor overload protection should be provided for each fan. A Circuit Breaker Switch or slow blow motor type fuses must be used, *See Figure 2. See form QM1400 for proper size.*

NOTE: A safety cut-off switch should be located adjacent to each fan.

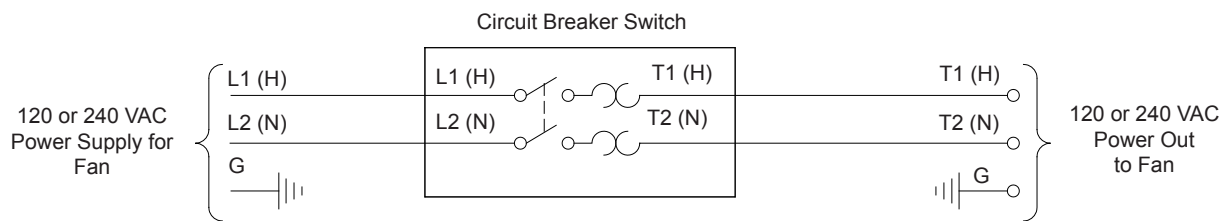


Figure 2
Single Phase - Motor Overload Protection with Disconnect
(SY2000 or Equivalent)

KEY:
L1=Line 1
L2=Line 2
L3=Line 3
H=Hot
N=Neutral
G=Ground

NOTE: Information in parenthesis refers to 120 VAC control.

Operation

4.

4.1 Operation

INITIAL START-UP: With electrical power off, verify that the fan propeller turns freely and that all fasteners are secure. Turn on electrical power and confirm that the fan operates smoothly.

ADJUSTMENTS: Set the fan control to the temperature shown on your ventilations system drawing, or to a value which will provide the desired environmental conditions.



	0.02" Static Pressure			0.05" Static Pressure		
	CFM	RPM	VOLTS	CFM	RPM	VOLTS
AT10AP2, SP2	45	970	74	45	1000	80
	90	1120	77	90	1180	85
	135	1290	83	135	1380	90
	180	1490	88	180	1590	96
	225	1690	93	225	1710	102
	270	1870	98	270	1810	105
	365	1930	107	360	2000	112
	455	1990	115	445	2160	119
	545	2150	124	535	2270	129
	635	2330	134	625	2480	138
	725	2570	146	715	2690	152
	815	2820	162	805	2920	169
	905	3120	183	895	3180	193

5.1 Maintenance

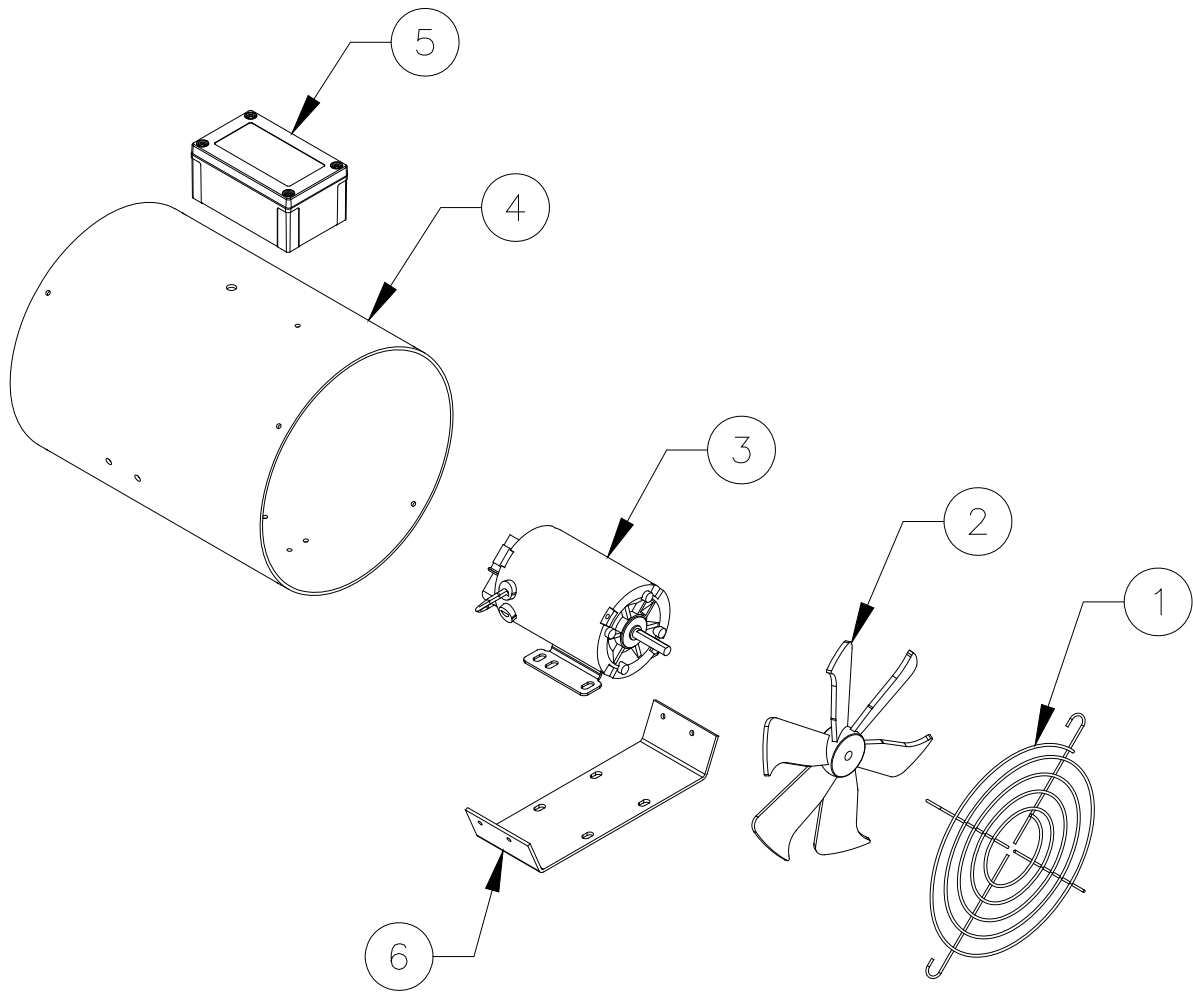
The following inspection and cleaning procedures should be performed monthly:

- 1) **INSPECT PROPELLER:** Check that propeller is secure on motor shaft and that there are no signs of damage. The blades are of a self-cleaning design and should not require maintenance.
- 2) **CLEAN** regularly for best results:
 - **FAN MOTOR:** Remove any dust accumulation from motor using a brush or cloth. (DO NOT use a pressure washer). A clean motor will run cooler and last longer. At the same time, verify that the motor is secure in its mount.
 - **GUARD:** Clean any dust or feathers from fan guards using a brush. Dirty guards can reduce airflow.
 - **PIPE HOUSING:** Clean any dust accumulations from bottom of pipe housing. Exterior of pipe housing may be cleaned with mild soap and water, abrasives are not recommended.
- 3) **CHECK FASTENERS:** For safety, all fasteners should be inspected 1 month after initial operation and yearly thereafter. Tighten any loose connections.
- 4) **INSPECT FAN CONTROL:** With power disconnected, inspect all electrical connections. Wiring should be secure and in good condition. Remove any dust build-up from control case and sensor using a soft brush or cloth. **NEVER CLEAN ELECTRICAL EQUIPMENT WITH A PRESSURE WASHER!**

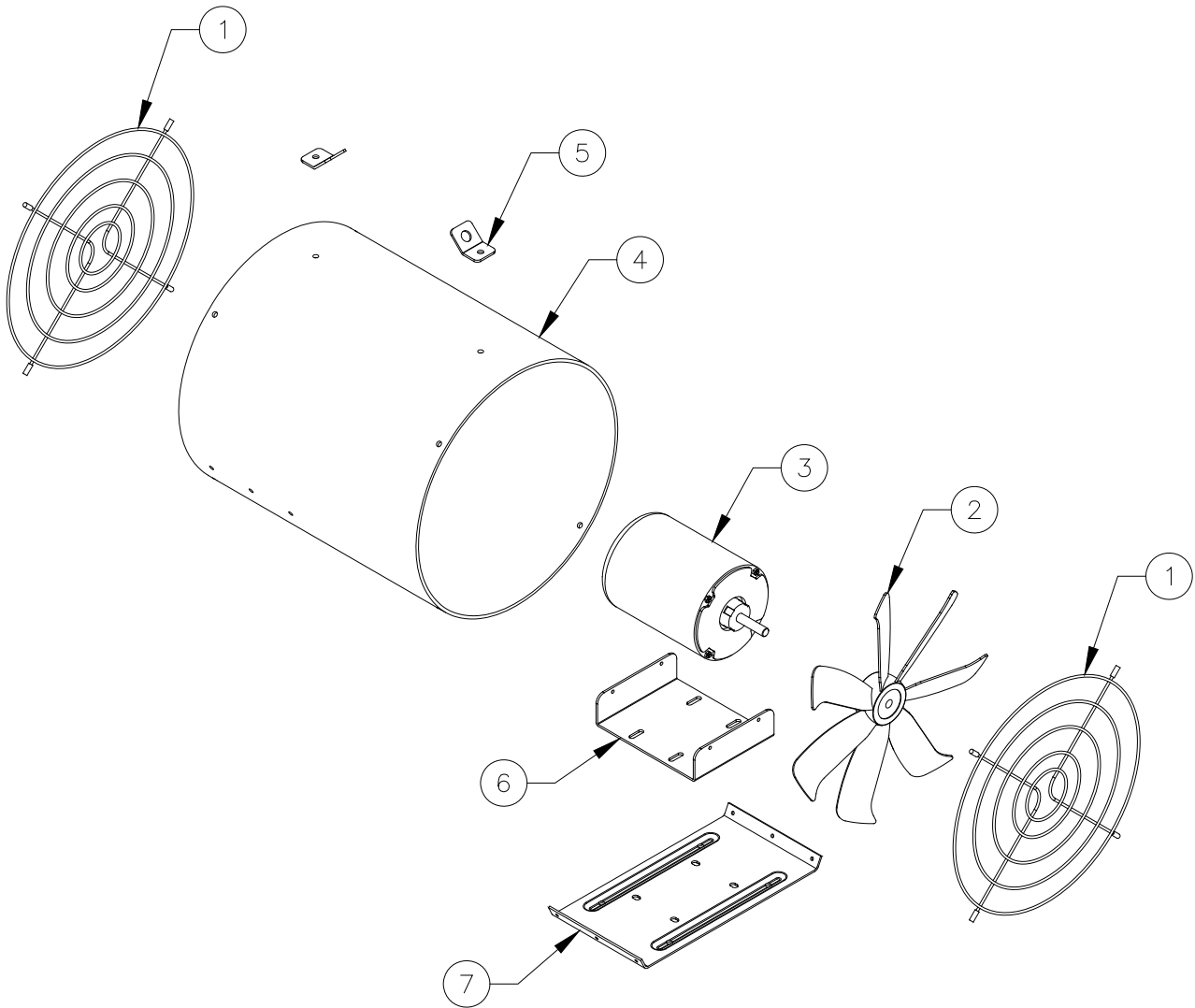


Exploded View and Parts List

8.



Item	Catalog No. AT10APx	Catalog No. AT10SPx	Description	Qty.
1	FH1223	FH1223	Outlet Guard, SS	1
2	FP1036SS	FP1036SS	Propeller, 9"DD, 6-Blade, Set Screws, AL	1
3	FM1039	FM1039	9" DD, Motor, 1/6 HP, 3350 RPM, 36 Fr., 1 ph., 115V	1
		FM1038	9" DD, Motor, 1/6 HP, 3350 RPM, 36 Fr., 1 ph., 230V	1
4	FH1224	-	Pipe Housing, AT10AP, w/ Insert, PVC	1
	-	FH1222	Pipe Housing, AT10SP, w/ Insert, PVC	1
5	WE352N	WE352N	Box, 3.2"W. x 5.1"H. x 2.4"D., Nema-4X, PC	1
6	FH1221	FH1221	Motor Base for AT10AP/SP, AL	1



Item	Catalog No. AT15AP	Description	Qty.
1	FH1233	Outlet Guard with Endcaps, PVC Coated	2
2	FP1031SS	Propeller, 14"DD, 6-Blade, Set Screws, AL	1
3	FM1010	14" DD, Motor, 1/8 HP, 1625 RPM, 48 Fr., 1 ph., 115/230V	1
4	FH1292	Pipe Housing, AT15AP, PVC	1
5	FH1258	Fan Support Clip, AL	2
6	FH2450	Base, 7.75" 48FR, 56FR Equiv., CTD GZ	1
7	FH1291	Motor Base for AT15AP, CTD GZ	1

This page left blank intentionally

Classic Pipe Fans are developed and produced by Munters Corporation, Lansing, Michigan U.S.A. 1-800-227-2376



Munters Europe AB, Isafjordsgatan 1, P.O. Box 1150, SE-164 26 Kista, Sweden. Phone +46 08 626 63 00, Fax +46 8 754 56 66.

Munters Corporation 2691 Ena Drive Lansing, MI 48917 U.S.A. Phone +1 800-227-2376, Fax +1 517-676-7078

www.munters.us

Australia Munters Pty Limited, Phone +61 2 6025 6422, **Brazil** Munters Brasil Industria e Comercio Ltda, Phone +55 41 3317 5050, **Canada/US** Munters Corporation Lansing, MI Phone +1 517 676 7070, **China** Munters Air Treatment Equipment (Beijing) Co. Ltd, Phone +86 10 80 481 121, **Denmark** Munters A/S, Phone +45 9862 3311, **India** Munters India, Phone +91 20 3052 2520, **Indonesia** Munters, Phone +62 818 739 235, **Italy** Munters Italy S.p.A., Chiusavecchia, Phone +39 0183 52 11, **Japan** Munters K.K., Phone +81 3 5970 0021, **Korea** Munters Korea Co. Ltd., Phone +82 2 761 8701, **Mexico** Munters Mexico, Phone +52 818 262 54 00, **Russia** Munters AB, Phone +7 812 448 5740, **Singapore** Munters Pte Ltd., Phone +65 744 6828, **South Africa and Sub-Sahara Countries** Munters (Pty) Ltd., Phone +27 11 997 2000, **Spain** Munters Spain S.A., Phone +34 91 640 09 02, **Sweden** Munters AB, Phone +46 8 626 63 00, **Thailand** Munters Co. Ltd., Phone +66 2 642 2670, **Turkey** Munters Form Endüstri Sistemleri A.Ş, Phone +90 322 231 1338, **USA** Munters Corporation Lansing, MI Phone +1 517 676 7070, **Vietnam** Munters Vietnam, Phone +84 8 3825 6838, **Export & Other countries** Munters Italy S.p.A., Chiusavecchia Phone +39 0183 52 11