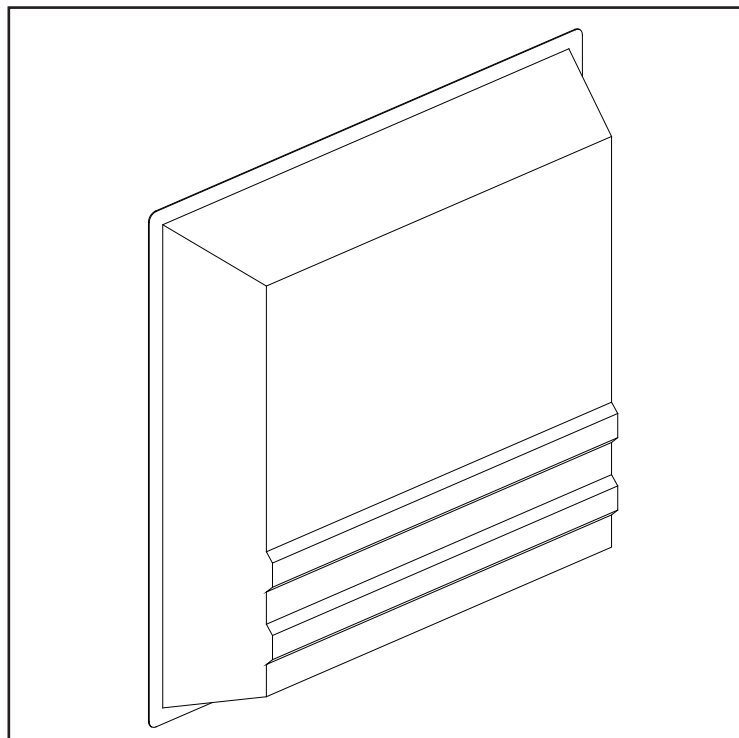


# Instruction Manual



## Fiberglass Riser Duct

# Fiberglass Riser Duct

Models: FRC2-P



# Fiberglass Riser Duct

## Instructions for Use and Maintenance

### Thank You:

Thank you for purchasing a Munters Fiberglass Riser Duct. Munters equipment is designed to be the highest performing, highest quality equipment you can buy. With the proper installation and maintenance it will provide many years of service.

### Please Note:

To achieve maximum performance and insure long life from your Munters product it is essential that it be installed and maintained properly. Please read all instructions carefully before beginning installation.

### Warranty:

For Warranty claims information see the "Warranty Claims and Return Policy" form QM1021 available from the [Munters Corporation office at 1-800-227-2376 or by e-mail at aghort.info@munters.com](mailto:aghort.info@munters.com).

### Conditions and Limitations:

- Products and Systems involved in a warranty claim under the "Warranty Claims and Return Policy" shall have been properly installed, maintained and operated under competent supervision, according to the instructions provided by Munters Corporation.
- Malfunction or failure resulting from misuse, abuse, negligence, alteration, accident or lack of proper installation or maintenance shall not be considered a defect under the Warranty.

# Index

Chapters	Page
<b>1. Unpacking the Equipment</b>	4
1.1 Parts List	4
1.2 FRC2-P Dimensions	4
1.3 Typical Configurations	5
<b>2. Installation Instructions</b>	6
2.1 Configuration 1 and 2	6
2.2 Configuration 2 (continued)	8

# Unpacking the Equipment

# 1.

Before beginning installation, check the overall condition of the equipment. Remove packing materials, and examine all components for signs of shipping damage. Any shipping damage is the customer's responsibility and should be reported immediately to your freight carrier. Fan is shipped complete with all accessories.

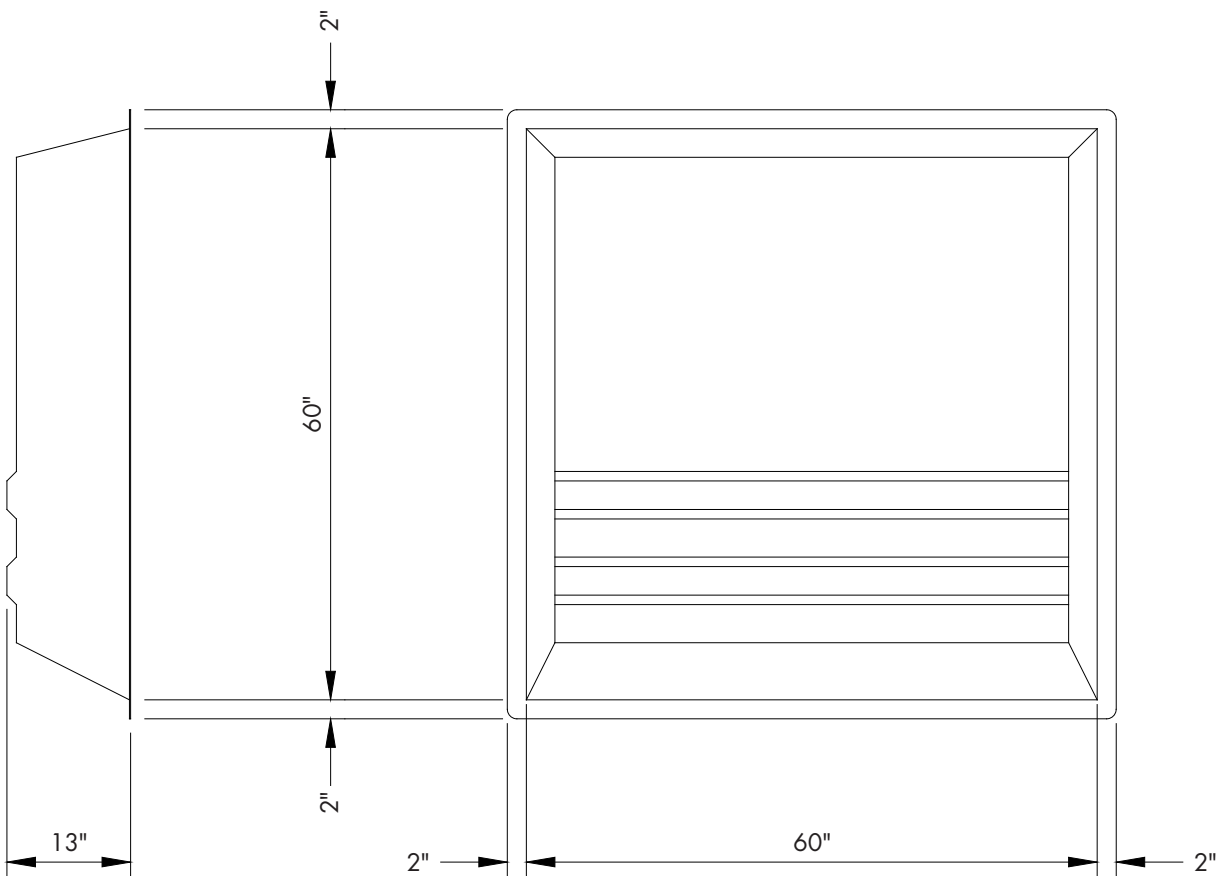
## 1.1 Parts List

*Each crate includes:*

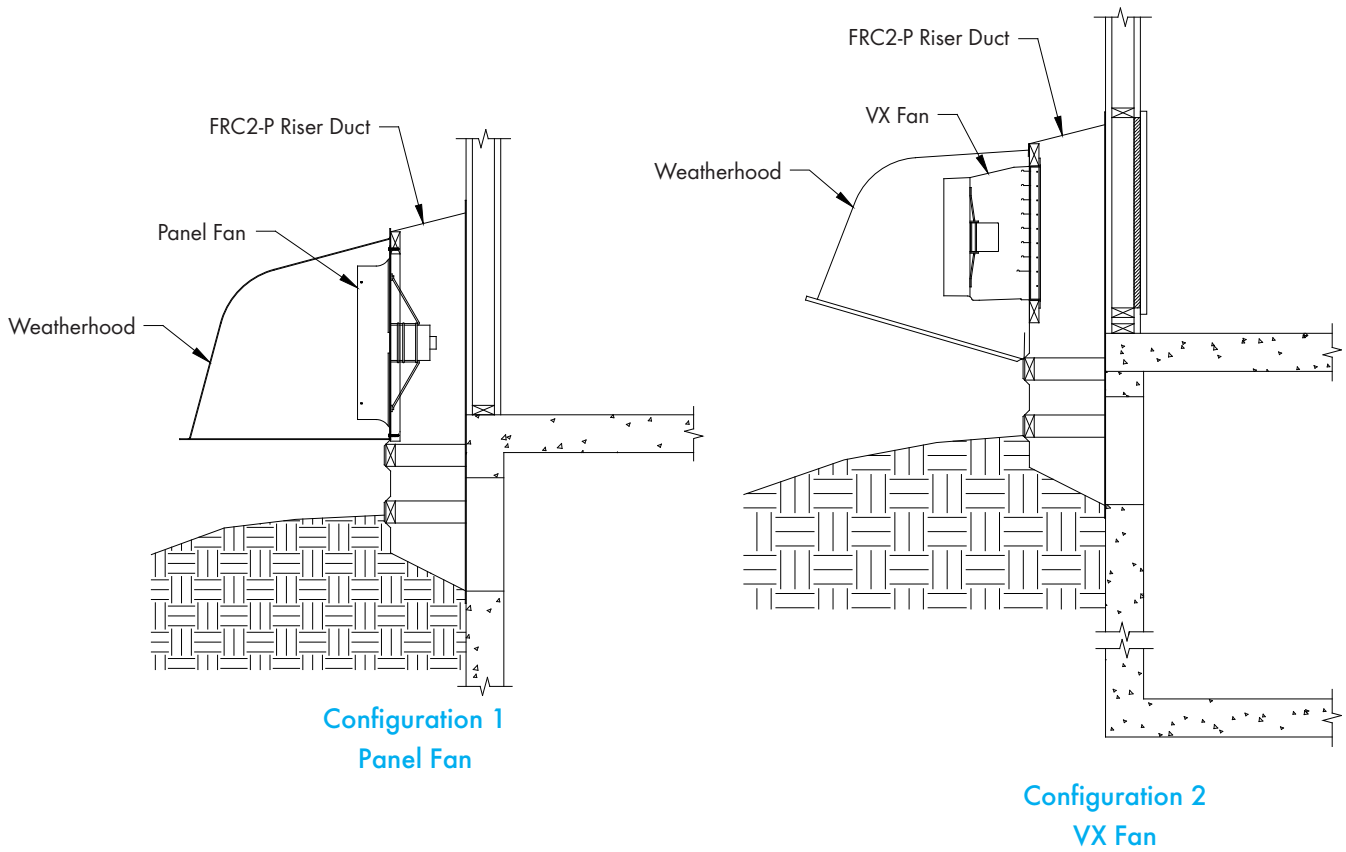
- 1 - Fiberglass Riser Duct

**Note:** The Fiberglass Riser Duct gives you a substitute for wood framed fan houses.

## 1.2 FRC2-P Dimensions



### 1.3 Typical Configurations



**Note:**

- If using Configuration 1 then proceed to Steps 1-9.
- If using Configuration 2, proceed to Steps 1-4 and Steps 10-14.

# Installation Instructions

# 2.

## 2.1 Configuration 1 or 2 Installation

### Step 1

Construct a frame out of 2 x 4 treated lumber for 18" and smaller fans, use 2 x 2 treated lumber for 24" fans. The opening must be framed for the fan being used. Refer to QM1001 for Wall Openings.

See Figure 1.

### Step 2

Attach frame to inside face of FRC2-P using wood screws (not provided). Top edge of frame must be even with the top edge of FRC2-P. Center frame on FRC2-P side to side. See Figure 2.

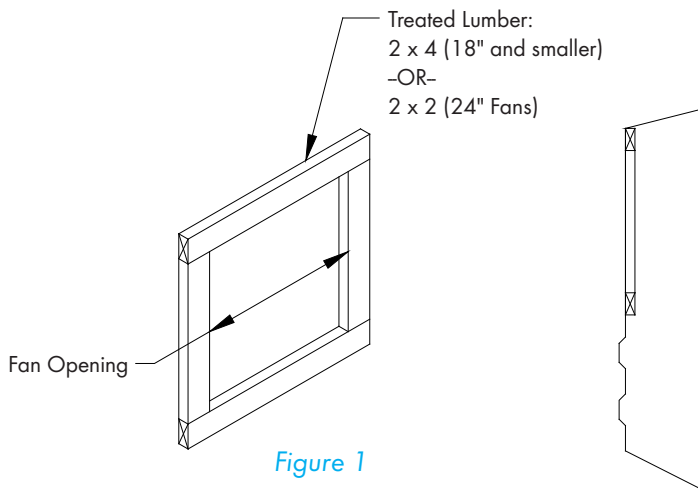


Figure 1

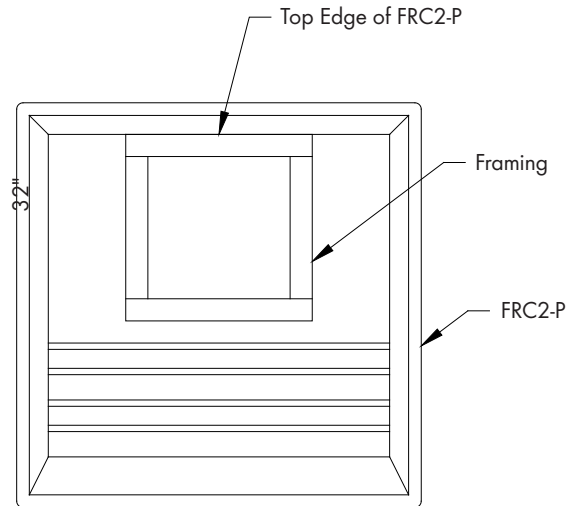


Figure 2

### Step 3

With frame securely fastened to FRC2-P, cut out the face of the FRC2-P inside the opening of the frame.

See Figure 3.

### Step 4

Provide an opening through pit wall where FRC2-P is to be located. See chart below for opening size.

See Figure 4.

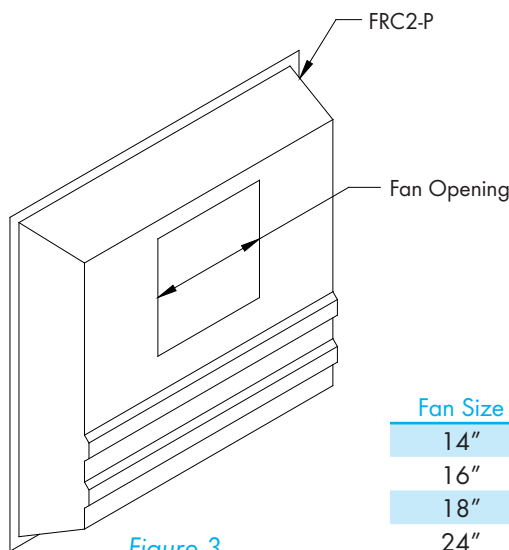


Figure 3

Fan Size	Opening Size	
14"	12"H	26"W
16"	12"H	38"W
18"	12"H	60"W
24"	18"H	60"W

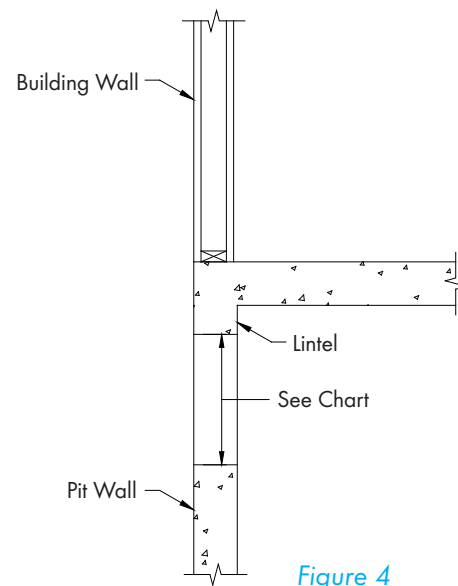


Figure 4

If using Configuration 1, then continue to [Steps 5-9](#). If using Configuration 2, proceed to [Step 10-14](#).

### Step 5

Install treated 2 x 4 reinforcement studs with support legs into reinforcement ribs in FRC2-P. Apply silicone caulk to inside face of riser flange, then fasten to building over opening using lag screws (not provided).

See [Figure 5](#).

### Step 6

Install fan to exterior of FRC2-P according to the fan instructions. See [Figure 6](#).

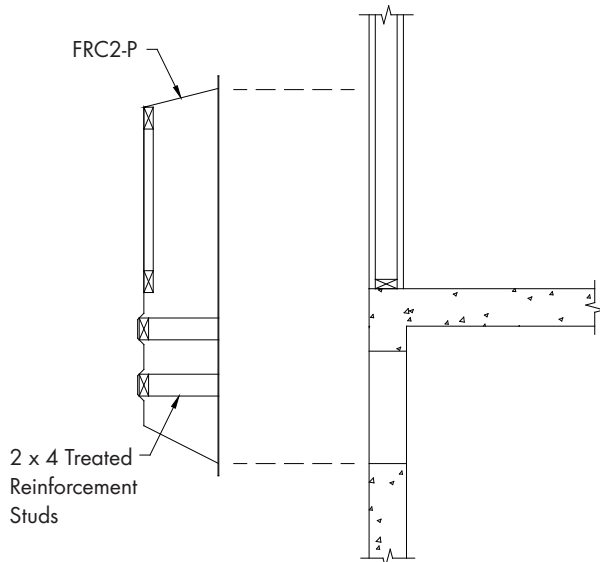


Figure 5

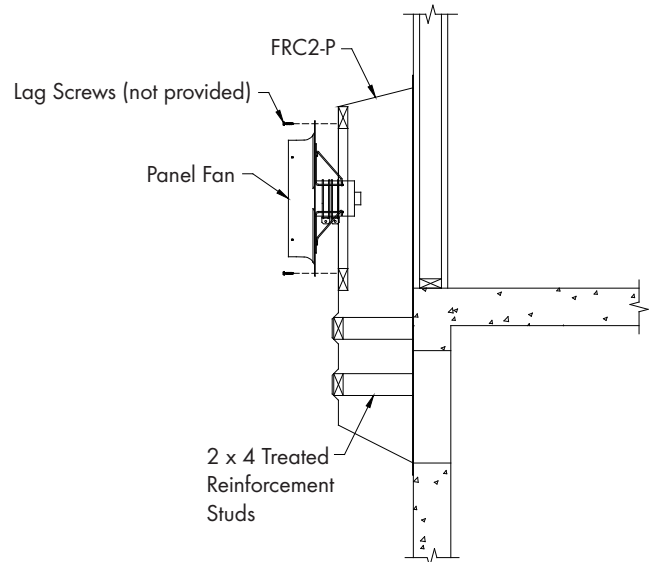


Figure 6

### Step 7

If any guard, discharge cone, fan hood or weatherhood was purchased, install it at this time.

### Step 8

Installation is now complete. If dirt is to be backfilled around bottom of FRC2-P, make sure to maintain 12" minimum between ground and bottom of fan or weatherhood.

See [Figure 7](#).

### Step 9

Fans should be installed according to their instructions and should be wired in accordance with National, State and Local electrical codes. Disconnect electrical power at the main service panel. **When wiring fan, allow extra cord for fan removal and maintenance.**

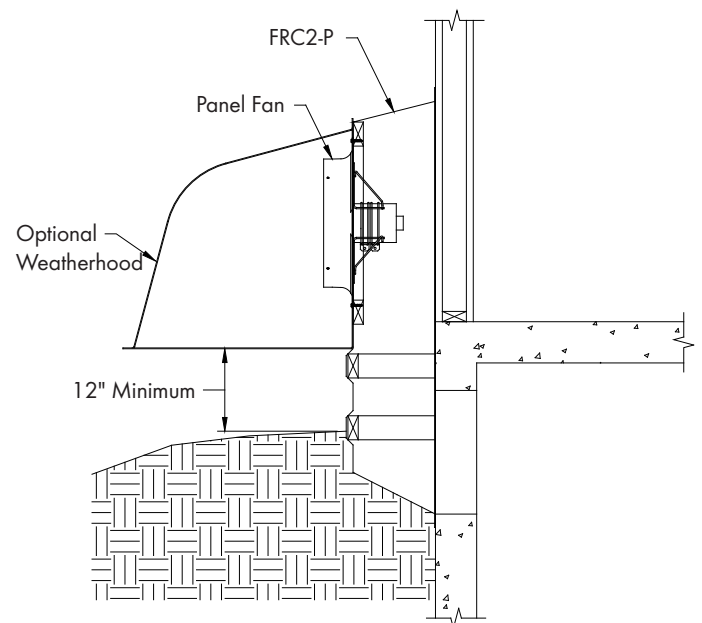


Figure 7

## 2.2 Configuration 2 (continued)

### Step 10

Attach fan to framing in FRC2-P with Lag Screws provided with fan. *See Figure 8.*

### Step 11

Install treated 2 x 4 reinforcement studs with support legs into reinforcement ribs in FRC2-P. Apply silicone caulk to inside face of riser flange, then fasten to building over opening using lag screws (not provided). *See Figure 8.* An access opening from room through wall into FRC2-P must be provided. Choose opening size from chart below. Opening must be covered with an insulated panel.

Fan Size	Opening Size
14"	24" sq.
16"	30" sq.
18"	30" sq.
24"	36" sq.

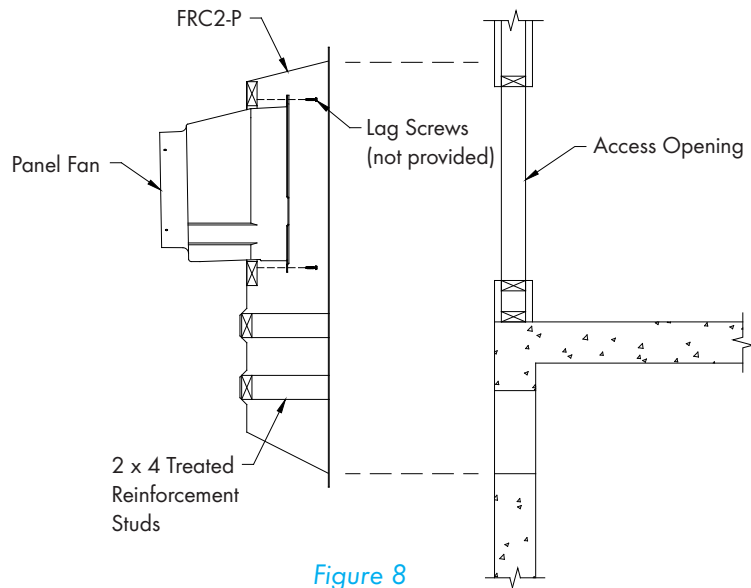


Figure 8

### Step 12

If any guard, discharge cone, fan hood or weatherhood was purchased install at this time.

### Step 13

Installation is now complete. *See Figure 9.* If dirt is to be backfilled around bottom of FRC2-P, make sure to maintain a 12" minimum between ground and bottom of fan or weatherhood.

### Step 14

Fans should be installed according to their instructions and should be wired in accordance with National, State and Local electrical codes. Disconnect electrical power at the main service panel. **When wiring fan, allow extra cord for fan removal and maintenance.**

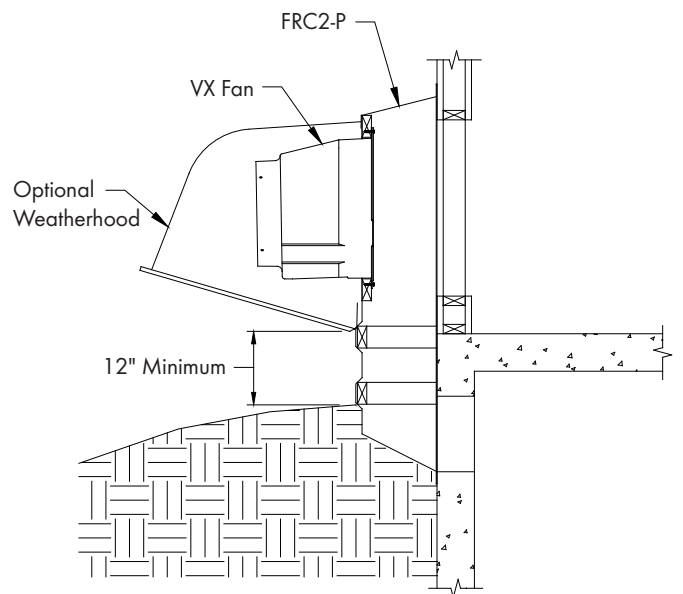


Figure 9



**This page left blank intentionally**

Fiberglass Riser Duct is developed and produced by Munters Corporation, Lansing, Michigan U.S.A. 1-800-227-2376



Munters Europe AB, Isafjordsgatan 1, P.O. Box 1150, SE-164 26 Kista, Sweden. Phone +46 08 626 63 00, Fax +46 8 754 56 66.

Munters Corporation 2691 Ena Drive Lansing, MI 48917 U.S.A. Phone +1 800-227-2376, Fax +1 517-676-7078

[www.munters.us](http://www.munters.us)

**Australia** Munters Pty Limited, Phone +61 2 6025 6422, **Brazil** Munters Brasil Industria e Comercio Ltda, Phone +55 41 3317 5050, **Canada/US** Munters Corporation Lansing, MI Phone +1 517 676 7070, **China** Munters Air Treatment Equipment (Beijing) Co. Ltd, Phone +86 10 80 481 121, **Denmark** Munters A/S, Phone +45 9862 3311, **India** Munters India, Phone +91 20 3052 2520, **Indonesia** Munters, Phone +62 818 739 235, **Italy** Munters Italy S.p.A., Chiusavecchia, Phone +39 0183 52 11, **Japan** Munters K.K., Phone +81 3 5970 0021, **Korea** Munters Korea Co. Ltd., Phone +82 2 761 8701, **Mexico** Munters Mexico, Phone +52 818 262 54 00, **Russia** Munters AB, Phone +7 812 448 5740, **Singapore** Munters Pte Ltd., Phone +65 744 6828, **South Africa and Sub-Sahara Countries** Munters (Pty) Ltd., Phone +27 11 997 2000, **Spain** Munters Spain S.A., Phone +34 91 640 09 02, **Sweden** Munters AB, Phone +46 8 626 63 00, **Thailand** Munters Co. Ltd., Phone +66 2 642 2670, **Turkey** Munters Form Endüstri Sistemleri A.Ş, Phone +90 322 231 1338, **USA** Munters Corporation Lansing, MI Phone +1 517 676 7070, **Vietnam** Munters Vietnam, Phone +84 8 3825 6838, **Export & Other countries** Munters Italy S.p.A., Chiusavecchia Phone +39 0183 52 11