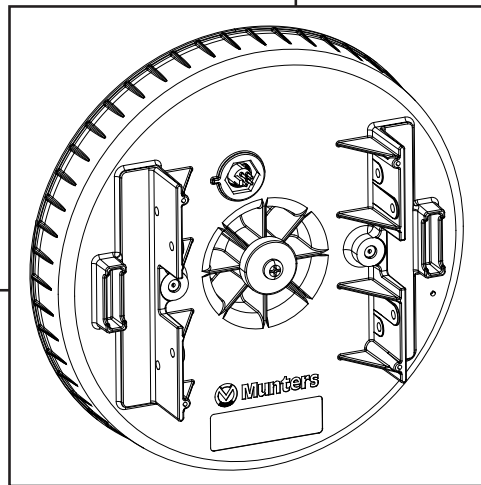
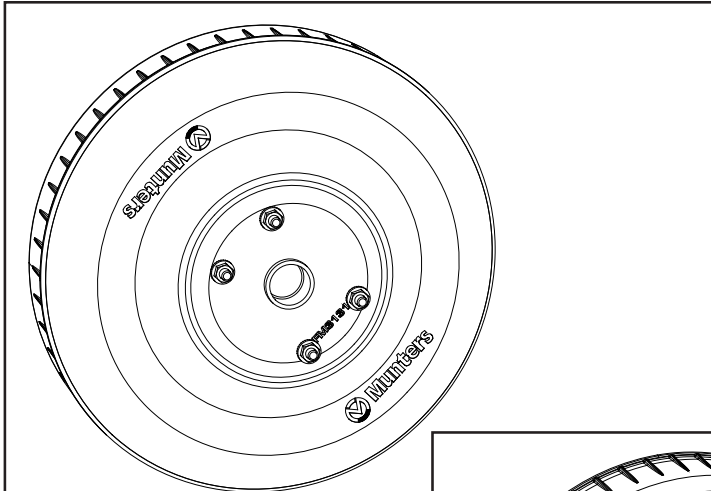


Instruction Manual



"FM"
Munters Drive *
Motor
Replacement Kit
for AX and VX Fans

*Patents Pending

"FM" Munters Drive

Motor Replacement Kit

Models: FM1136H • FM1136L



FM - Munters Drive

Motor Replacement Kit

Instructions for Use and Maintenance

Thank You:

Thank you for purchasing a "FM" motor replacement kit. Munters equipment is designed to be the highest performing, highest quality equipment you can buy. With the proper installation and maintenance it will provide many years of service.

Please Note:

To achieve maximum performance and insure long life from your Munters product it is essential that it be installed and maintained properly. Please read all instructions carefully before beginning installation.

Warranty:

For Warranty claims information see the "Warranty Claims and Return Policy" form QM1021 available from the [Munters Corporation office at 1-800-227-2376 or by e-mail at aghort.info@munters.com](mailto:aghort.info@munters.com).

Conditions and Limitations:

- Products and Systems involved in a warranty claim under the "Warranty Claims and Return Policy" shall have been properly installed, maintained and operated under competent supervision, according to the instructions provided by Munters Corporation.
- Malfunction or failure resulting from misuse, abuse, negligence, alteration, accident or lack of proper installation or maintenance shall not be considered a defect under the Warranty.

Index

Chapters	Page
1. Unpacking the Equipment	4
1.1 Parts List	4
2. Installation Instructions	5
2.1 AX51/VX51/VX55 Motor Installation	6
2.2 VX36/VX48 Motor Installation	8
3. Troubleshooting	12
4. Exploded View and Parts List	13

Unpacking the Equipment

1.

1.1 Parts List

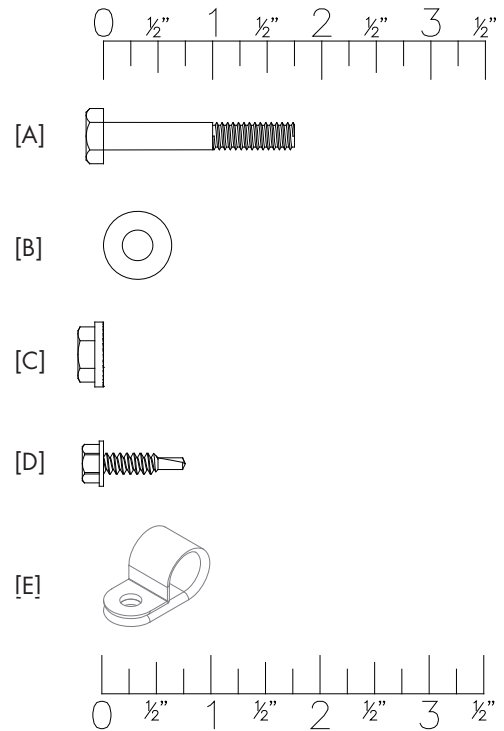
Before beginning installation, check the overall condition of the equipment. Remove packing materials, and examine all components for signs of shipping damage. Any shipping damage is the customer's responsibility and should be reported immediately to your freight carrier.

Each "FM" Munters Drive Motor Kit Includes:

- 1 - Munters Drive Motor
- 1 - Hardware Package As Follows:

HP1321 - Hardware Package for "FM" Kit

ID	Qty.	Cat. No.	Description
[A]	12	KS1006	1/4"-20 x 1.75" Hex Head Bolt, SS
[B]	12	KW3002	1/4" Type-A Narrow Flat Washer, SS
[C]	12	KN0702	1/4"-20 Serrated Flange Hex Nut, SS
[D]	4	KS2258	#10-16 x 5/8" HXWSR TEK Screw, SS
[E]	4	KX1018	3/8" Dia. X 1/2"W. Wire Clamp, BLK NY



Installation Instructions

2.

Step 1

Disconnect power from fan before continuing. Remove the shutter from the back of the fan and set safely aside to be reinstalled later. [See Figure 1.](#)

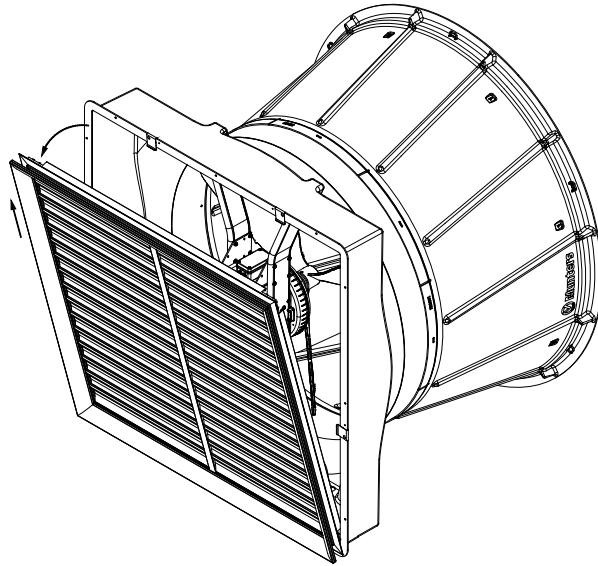


Figure 1

Step 2

Remove the 4 nuts holding the Prop Adapter and Propeller to the Munters Drive Motor and set safely into the cone to be reused. [See Figure 2.](#)

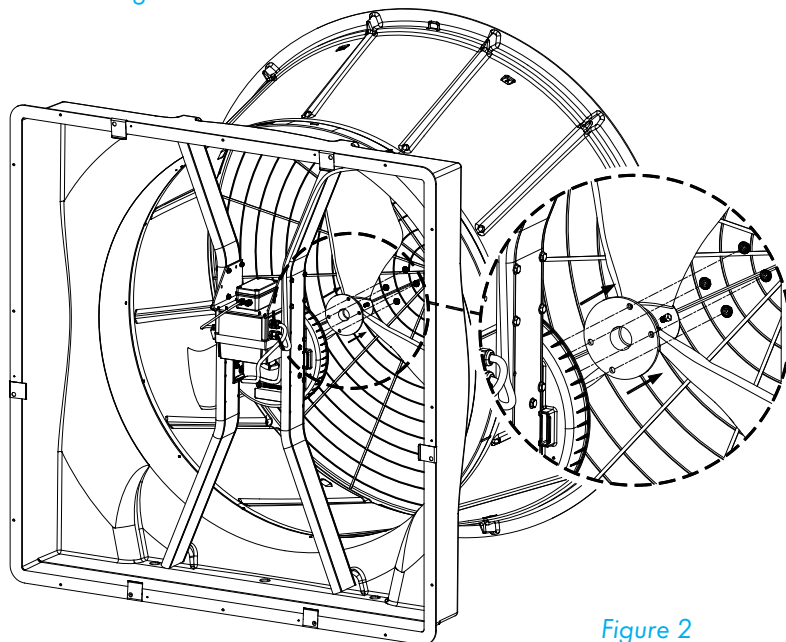


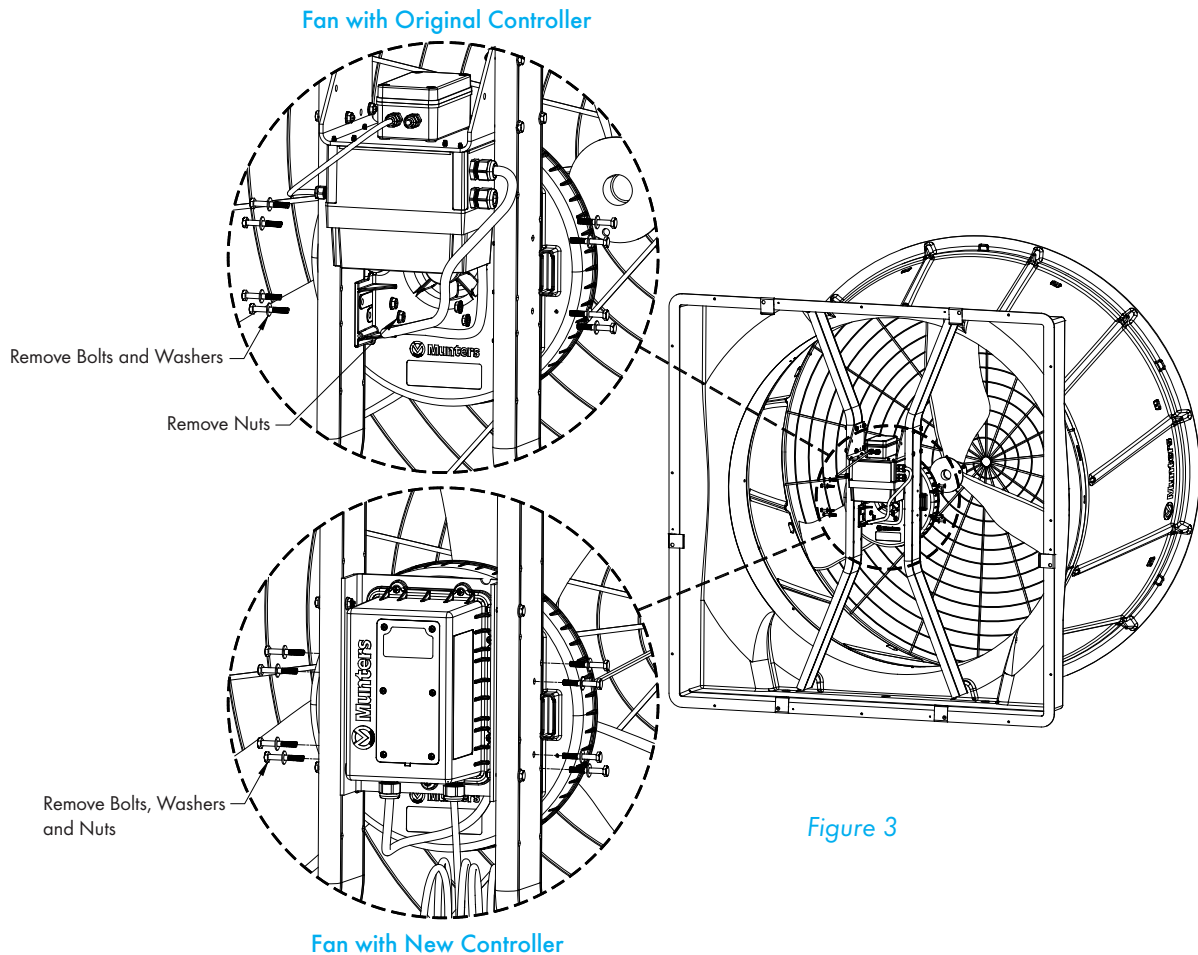
Figure 2

For AX51/VX51/VX55 Motor installation, proceed to **Step 3**.
 For VX36/VX48 Motor installation, proceed to **Step 7**.

2.1 AX51/VX51/VX55 Motor Installation

Step 3

Remove the motor from the struts by removing the 8 bolts and nuts holding the motor to the struts. Motor is heavy, make sure to support it while removing bolts so it does not fall and damage housing or motor. Unplug controller from motor and set motor aside. See [Figure 3](#). If needed you can remove the top bolts holding the controller assembly in place and rotate the controller away from the motor to be able to reach the nuts and plug.



Step 4

Locate box and make sure it is facing up and open the box. Remove the top section of the foam packaging to reveal the Munters Drive Motor. See Figure 4.

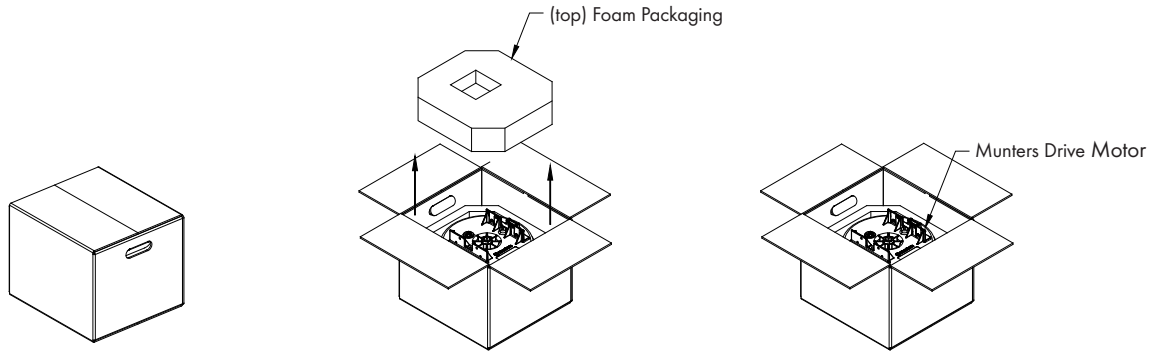


Figure 4

Step 5

Reconnect cable with Quick Connector from Controller to Motor. Carefully lift motor into place with the mounting flanges between the struts and secure in place using (8) Bolts [A], Washers [B] and Nuts [C]. See Figure 5. If bolts were removed from the Controller assembly in step 3, replace these bolts, washers and nuts now.

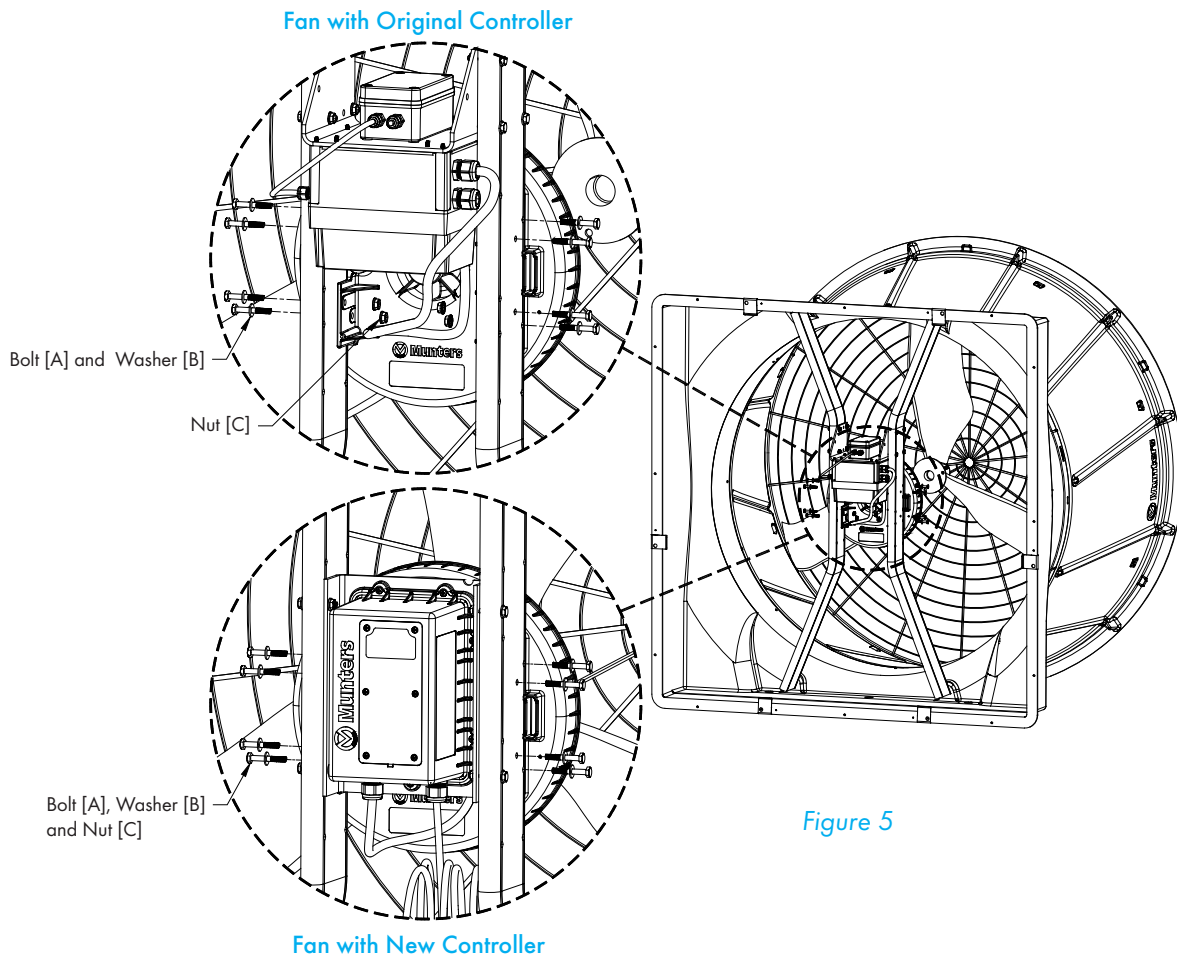


Figure 5

Step 6

Remove the (4) nuts from the front of the Munters Drive Motor. Place propeller with prop adapter on the bolts on front of Munters Drive Motor and fasten with the nuts that were just removed. Tighten the nuts to 200 in-lbs. of torque.

See Figure 6.

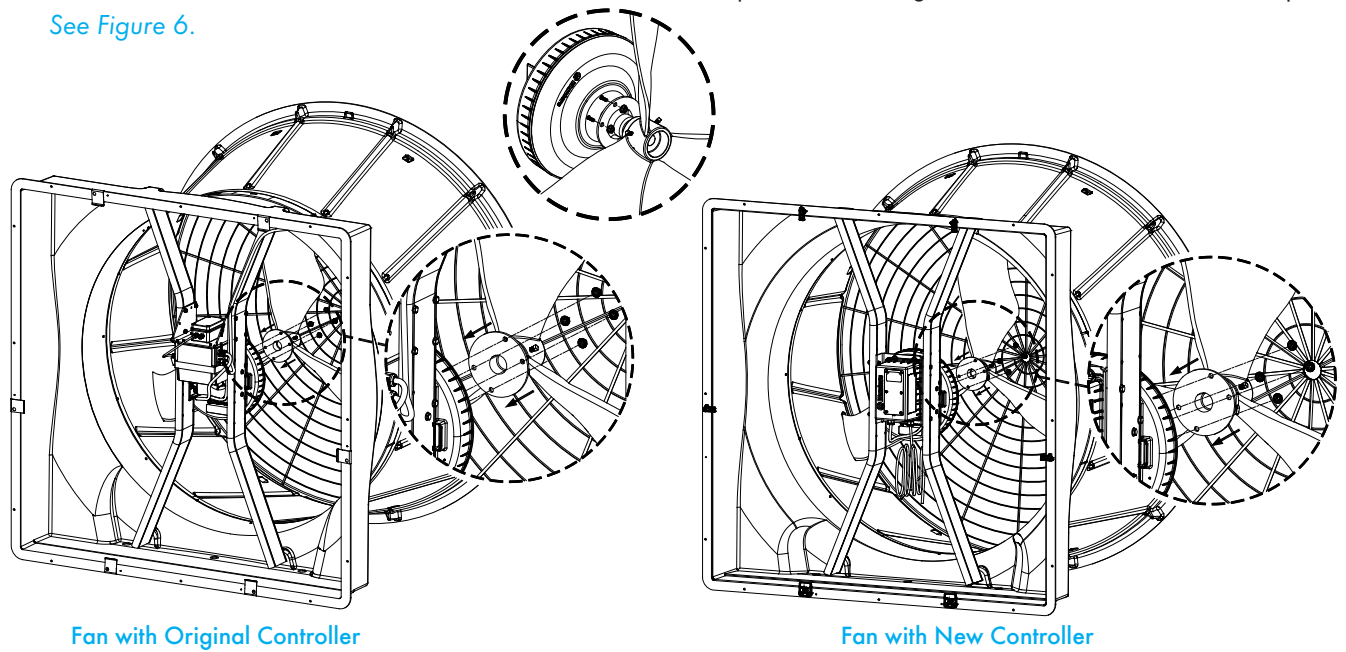


Figure 6

2.2 VX36/VX48 Motor Installation

For a VX36/VX48 with an Original Controller proceed to Step 7A.

For a VX36/VX48 with a New Controller proceed to Step 7B.

Step 7A

Remove the motor from the struts by removing the 8 bolts and nuts holding the motor to the struts. Motor is heavy, make sure to support it while removing bolts so it does not fall and damage housing or motor. Unplug controller from motor and set motor aside. See Figure 7A.

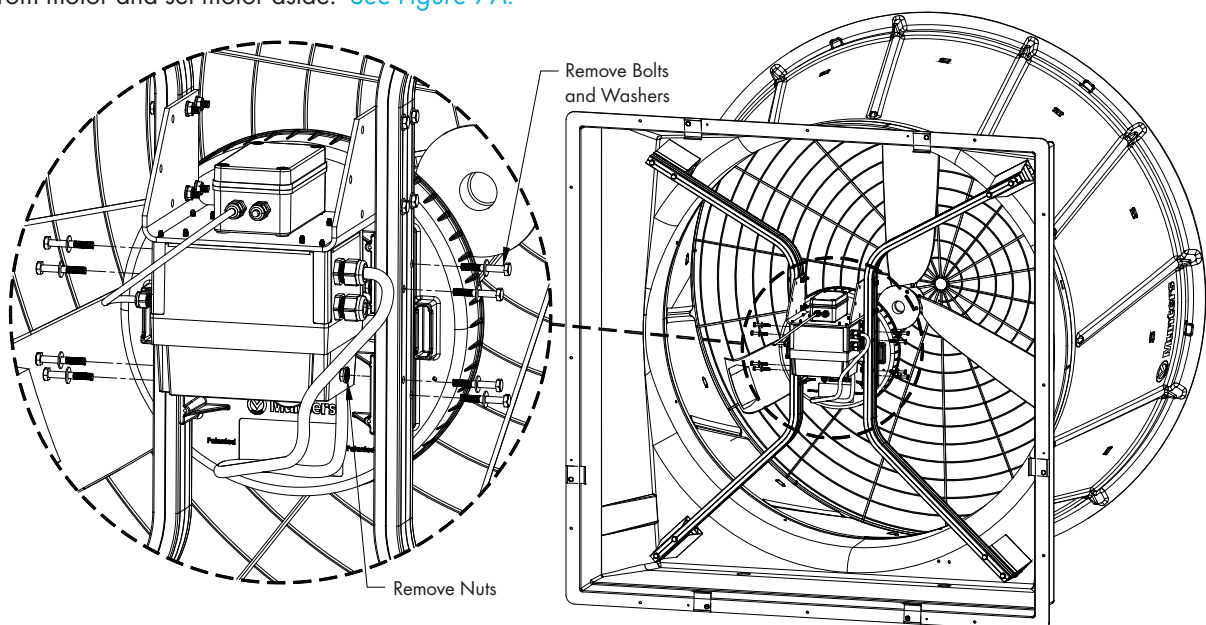


Figure 7A

Step 7B

Remove the 4 bolts and nuts holding the Controller Assembly to the struts and motor and disconnect the quick connector from the motor and carefully set the Controller aside for reinstallation later. *See Figure 7B.* Remove the motor from the struts by removing the remaining 4 bolts and nuts holding the motor to the struts. Motor is heavy, make sure to support it while removing bolts so it does not fall and damage housing or motor. Set motor aside. *See Figure 7C.*

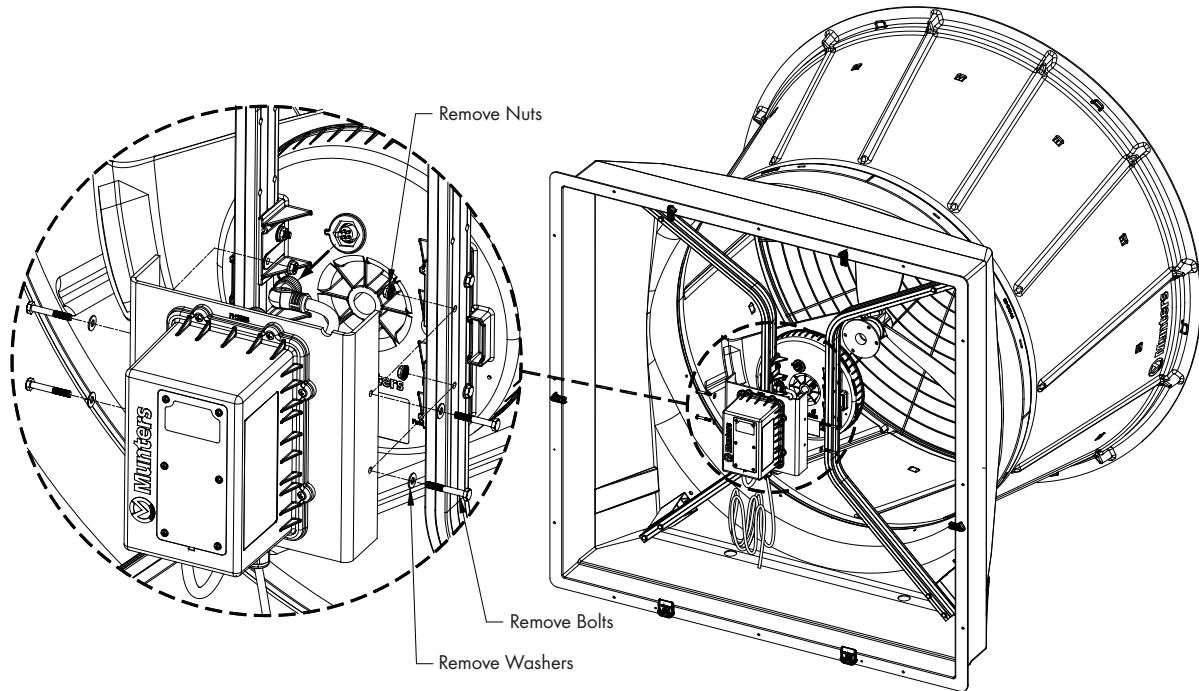


Figure 7B

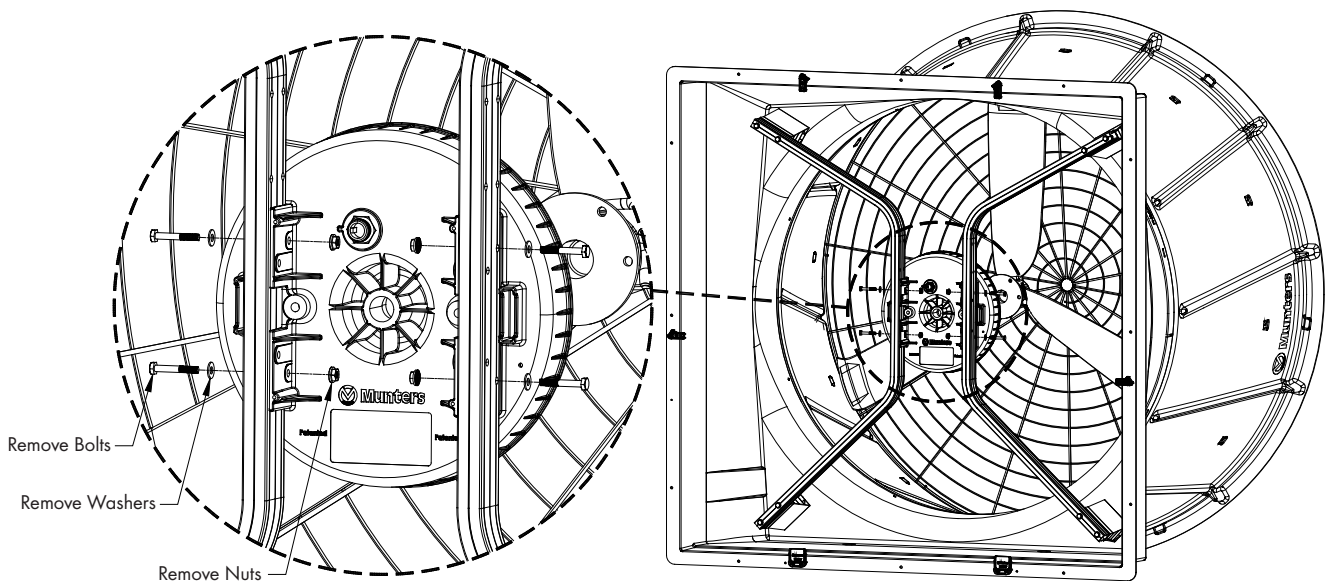


Figure 7C

Step 8A

For fan with an Original Controller, reconnect cable with Quick Connector from Controller to Motor. Carefully lift motor into place with the mounting flanges between the struts and secure in place using (8) Bolts [A], Washers [B] and Nuts [C]. See Figure 8A.

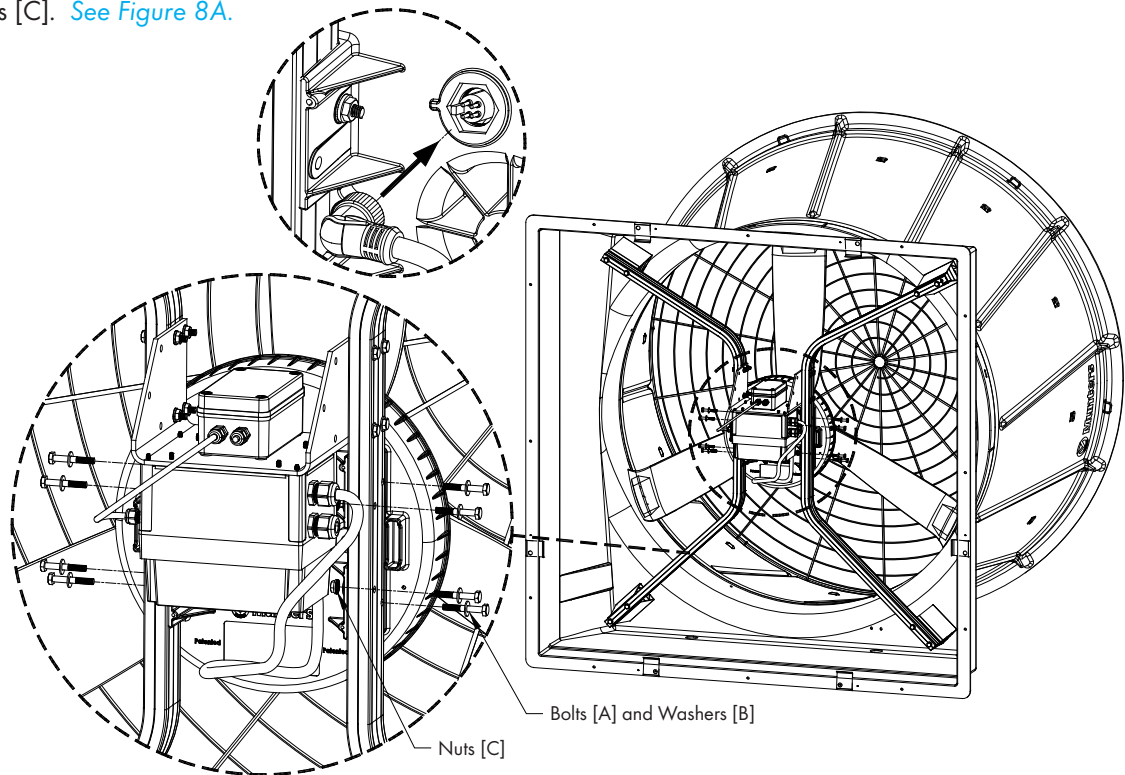


Figure 8A

Step 8B

For fan with a New Controller, carefully lift motor into place with the mounting flanges between the struts and secure in place using (4) Bolts [A], Washers [B] and Nuts [C] in the outer holes closest to the motor. See Figure 8B.

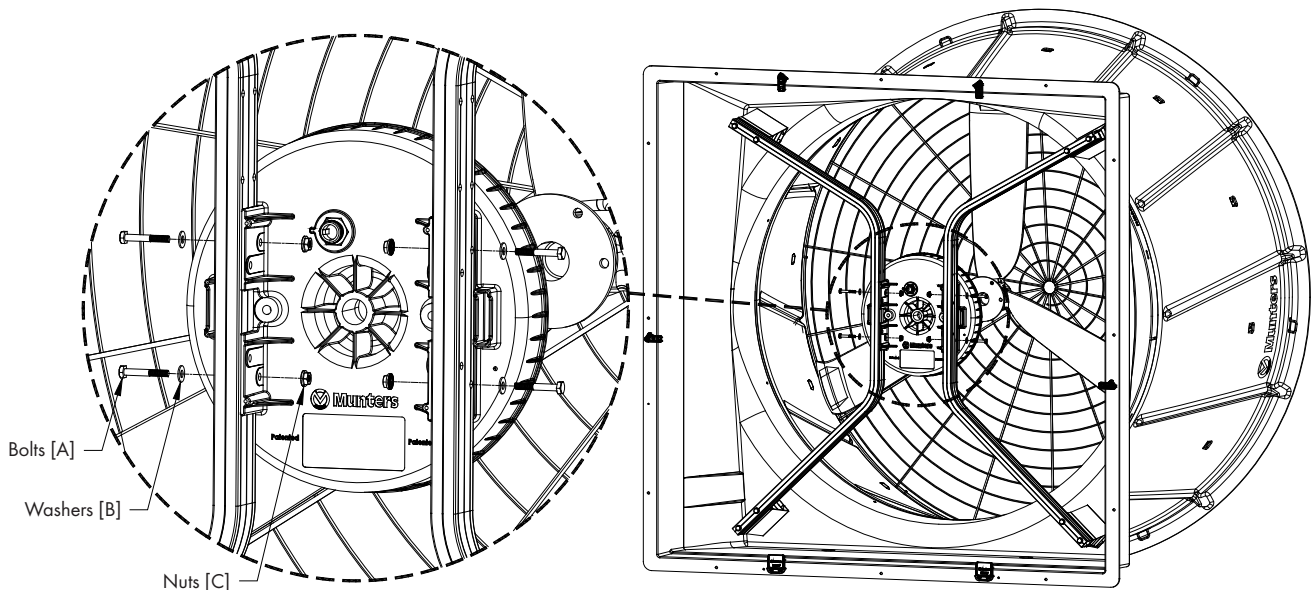


Figure 8B

Step 8C

Reconnect the quick connect connector to the motor, replace the Munters Drive controller over the struts so that the 2 holes in each strut line up with the holes in each side of the controller bracket and fasten with (4) Bolts [A], Washers [B] and Nuts [C]. See Figure 8C.

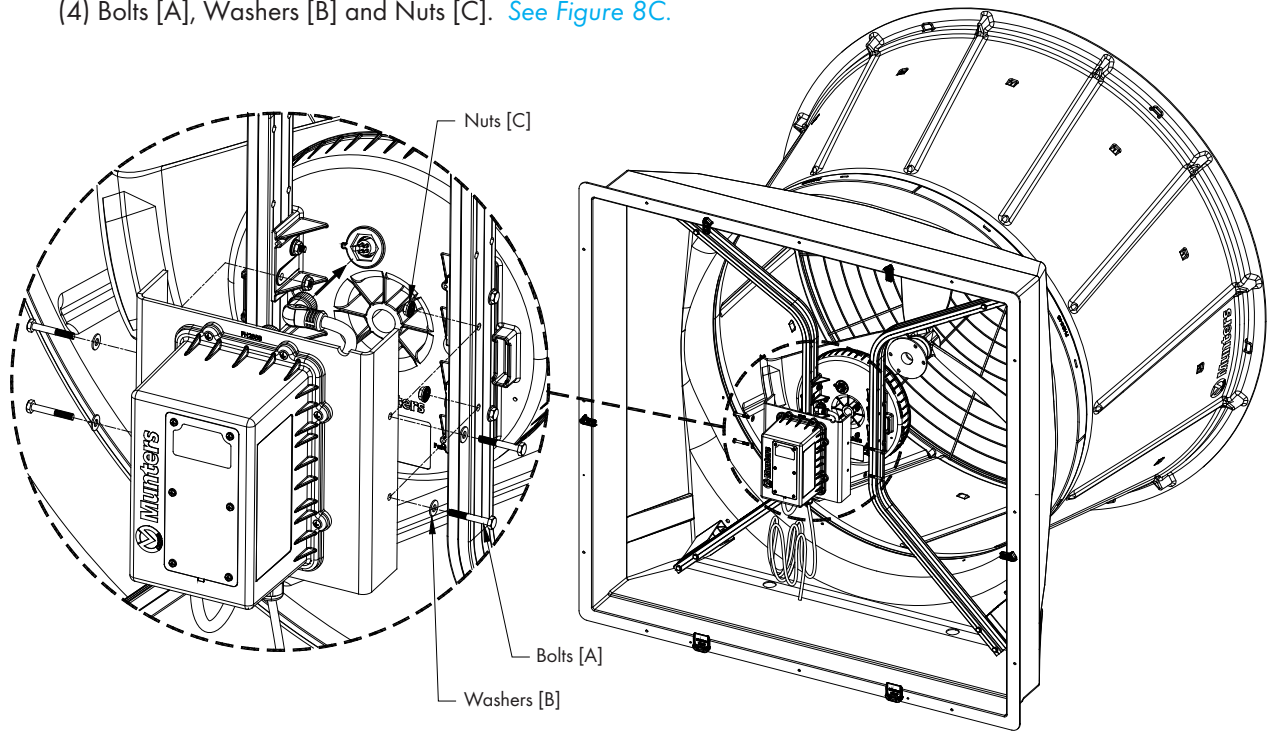


Figure 8C

Step 9

Remove the (4) nuts from the front of the Munters Drive Motor. Place propeller with prop adapter on the bolts on front of Munters Drive Motor and fasten with the nuts that were just removed. Tighten nuts to 200 in-lbs. of torque. See Figure 9.

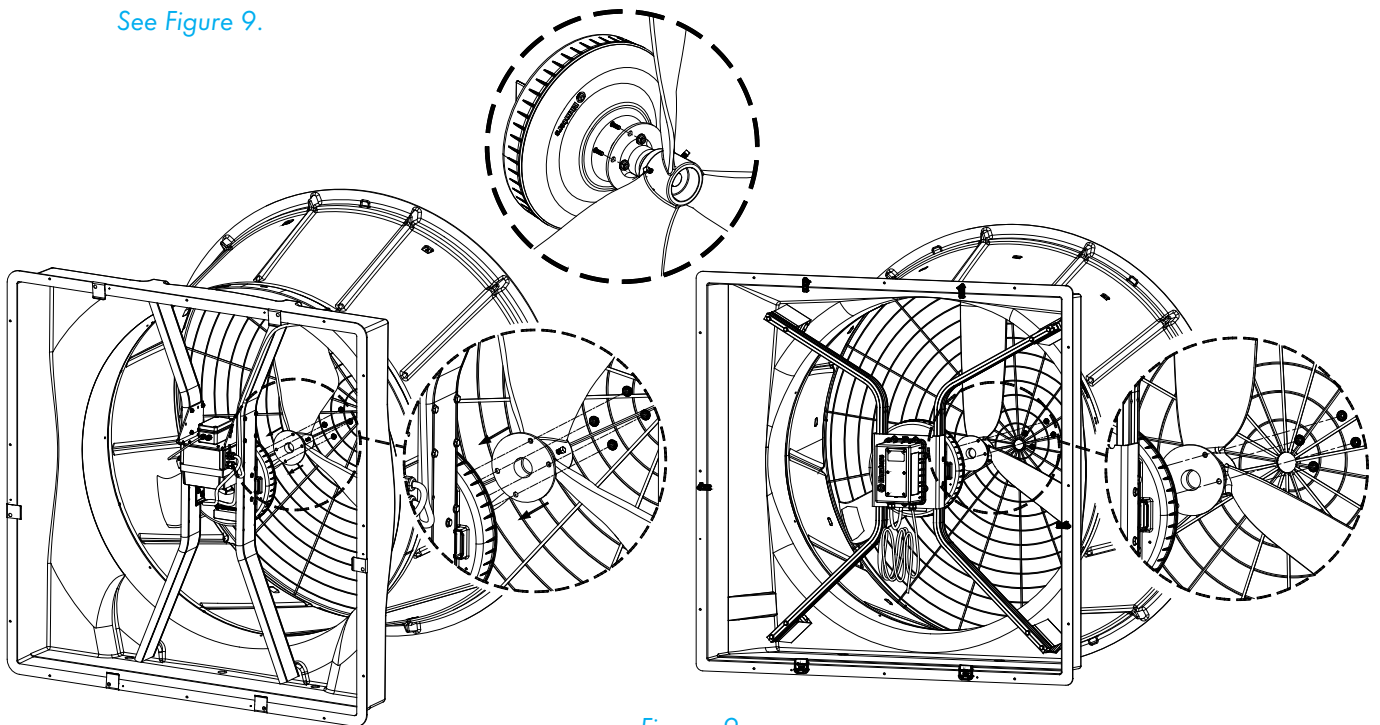
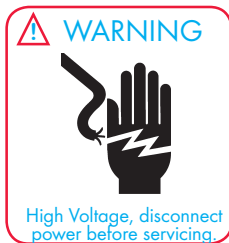


Figure 9

3.1 Troubleshooting



SYMPTOM	POSSIBLE CAUSES	CORRECTIVE ACTION
<ul style="list-style-type: none"> Fan Not Operating 	<ul style="list-style-type: none"> Fan control set above room temperature Blown Fuse or open circuit breaker Propeller blade contacting fan housing Fan control defective (i.e. environmental control, etc.) 	<ul style="list-style-type: none"> Set to a lower temperature Replace fuse or reset breaker Realign motor in fan housing Repair or replace control
<ul style="list-style-type: none"> Fan Does Not Start Caution: There is a 10 second delay for the fan to start when an 'On' command is present. 	<ul style="list-style-type: none"> Munters Drive motor/controller issue 	<ol style="list-style-type: none"> Verify AC voltage is present at fan. Turn AC power off to fan for 1 minute Verify Prop turns freely <ol style="list-style-type: none"> If not contact Munters Product Support If it turns freely go to next step Turn AC power back on to fan <ol style="list-style-type: none"> If starts up and runs, fan OK <ul style="list-style-type: none"> Periodically observe fan to verify it is still running If it continues to run, fan is OK If fan stops, look through clear window in drive cover to check what drive display reads. Contact Munters Product Support If fan tries to start but stops, look through clear window in drive cover to check what drive display reads. Contact Munters Product Support If fan doesn't try to start, verify 'On' command signal is present at circuit board. Also, slide the switch on the circuit board to the 'On' position.
<ul style="list-style-type: none"> Fan Operating - Insufficient Airflow 	<ul style="list-style-type: none"> Shutter or Damper door jammed Guard dirty/clogged 10-0V signal set incorrectly 	<ul style="list-style-type: none"> Clean shutter or damper door Clean guard Check and adjust 10-0V signal
<ul style="list-style-type: none"> Excessive Noise 	<ul style="list-style-type: none"> Propeller blade contacting fan housing 	<ul style="list-style-type: none"> Sand fan housing to remove high spot
<ul style="list-style-type: none"> Excessive Vibration 	<ul style="list-style-type: none"> Motor loose on mount Propeller damaged 	<ul style="list-style-type: none"> Tighten fasteners Replace propeller

This page left blank intentionally

Munters Drive Motor replacement kit is developed and produced by Munters Corporation, Lansing, Michigan U.S.A. 1-800-227-2376



Munters Europe AB, Isafjordsgatan 1, P.O. Box 1150, SE-164 26 Kista, Sweden. Phone +46 08 626 63 00, Fax +46 8 754 56 66.

Munters Corporation 2691 Ena Drive Lansing, MI 48917 U.S.A. Phone +1 800-227-2376, Fax +1 517-676-7078

www.munters.us

[Australia](#) Munters Pty Limited, Phone +61 2 6025 6422, [Brazil](#) Munters Brasil Industria e Comercio Ltda, Phone +55 41 3317 5050, [Canada/US](#) Munters Corporation Lansing, MI Phone +1 517 676 7070, [China](#) Munters Air Treatment Equipment (Beijing) Co. Ltd, Phone +86 10 80 481 121, [Denmark](#) Munters A/S, Phone +45 9862 3311, [India](#) Munters India, Phone +91 20 3052 2520, [Indonesia](#) Munters, Phone +62 818 739 235, [Italy](#) Munters Italy S.p.A., Chiusavecchia, Phone +39 0183 52 11, [Japan](#) Munters K.K., Phone +81 3 5970 0021, [Korea](#) Munters Korea Co. Ltd., Phone +82 2 761 8701, [Mexico](#) Munters Mexico, Phone +52 818 262 54 00, [Russia](#) Munters AB, Phone +7 812 448 5740, [Singapore](#) Munters Pte Ltd., Phone +65 744 6828, [South Africa and Sub-Sahara Countries](#) Munters (Pty) Ltd., Phone +27 11 997 2000, [Spain](#) Munters Spain S.A., Phone +34 91 640 09 02, [Sweden](#) Munters AB, Phone +46 8 626 63 00, [Thailand](#) Munters Co. Ltd., Phone +66 2 642 2670, [Turkey](#) Munters Form Endüstri Sistemleri A.Ş., Phone +90 322 231 1338, [USA](#) Munters Corporation Lansing, MI Phone +1 517 676 7070, [Vietnam](#) Munters Vietnam, Phone +84 8 3825 6838, [Export & Other countries](#) Munters Italy S.p.A., Chiusavecchia Phone +39 0183 52 11