

**Each Weatherhood Kit includes:**

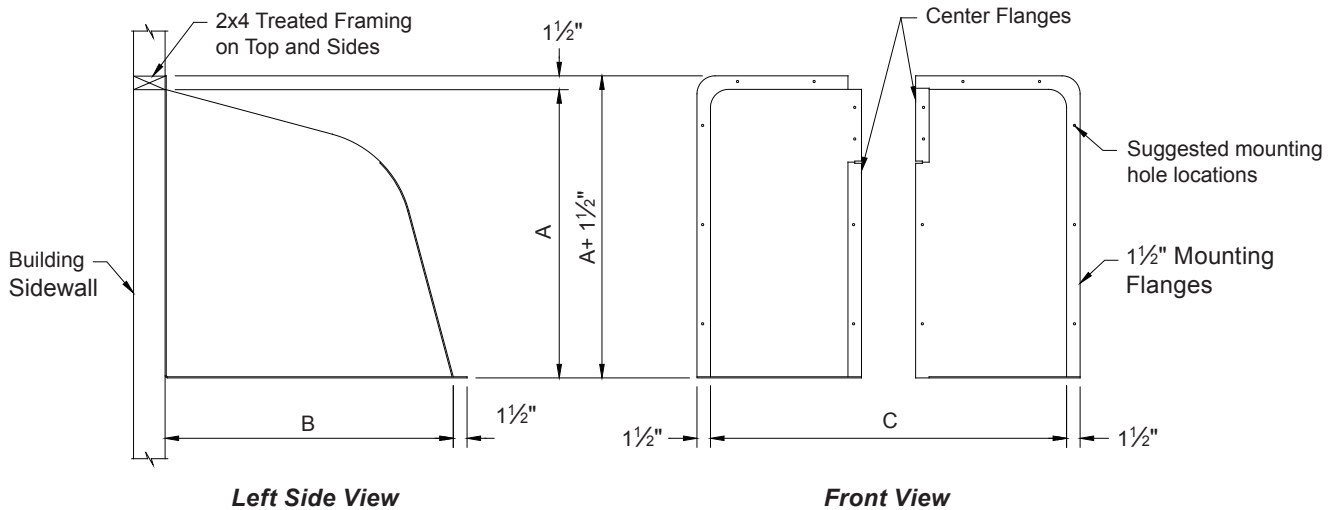
- 2 - Weatherhood Sections (identical)
- 1 - Hardware package (HP1048) including:

**HP1048 includes:**

- 4 .....KR1200 1/4" x 3/4" Drive Rivets, Nylon
- 4.....KS2105 #14 x 1.5" Tapping Screw, S.S.

NOTE: This weatherhood is designed to mount over an exhaust fan or an opening where wind conditions or snow loads may cause problems.

Cat. No.	A	B	C	Framing Size (required on 3 sides)	
				W.	H.
FWH18	26"	26"	24½"	25"W.	26"H.
FWH24	32"	32"	30½"	31"W.	32"H.
FWH36	48"	48"	46½"	47"W.	48"H.
FWH48	60"	60"	60½"	61"W.	60"H.



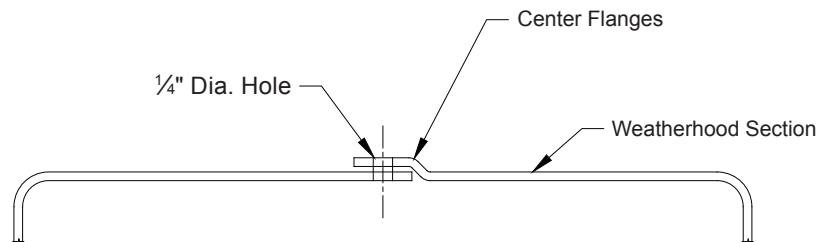
### INSTALLATION INSTRUCTIONS

**WARNING**



**ROTATING FAN BLADES.**  
Operation of fan without wire screens or guards may result in direct contact with blades and cause severe personal injury or death.

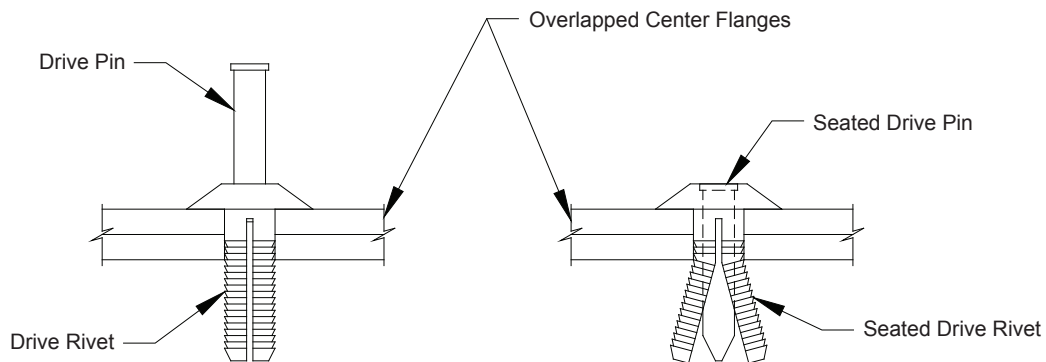
- 1) Remove all packing materials from weatherhood sections and place sections as shown in **"Front View"** above.
- 2) Slide sections together overlapping raised center flanges.
- 3) Holding sections firmly, drill ¼" dia. holes (2-4 per section) at suggested mounting hole locations in center flanges (shown above). Be sure to drill completely through the overlapped sections. **See Figure 1.**



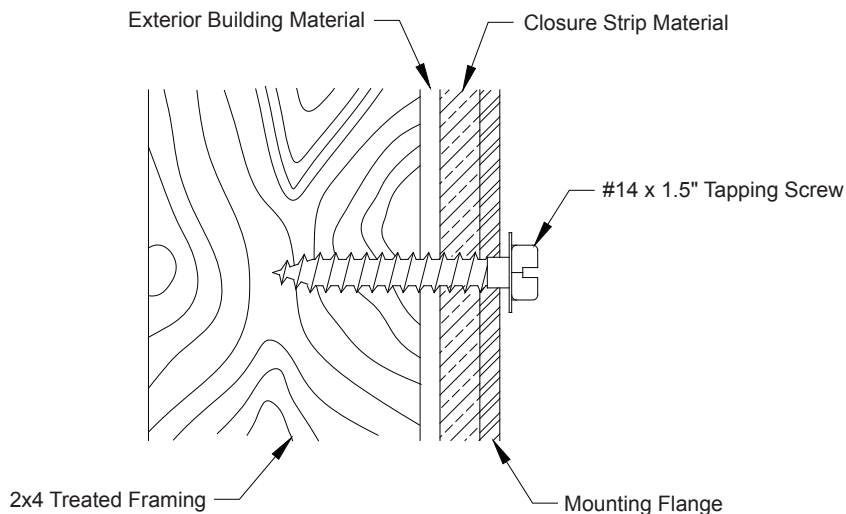
**Figure 1**

- 4) Fasten sections together by inserting Drive Rivet (nylon) into each hole in center of flanges and striking the drive pin with hammer. Support the underside of the weatherhood while doing this. When the drive pin is fully seated, the rivet is secured. **See Figure 2.**
- 5) Drill a 1/4" dia. hole at suggested mounting hole locations (shown on page 1) in mounting flanges used to secure weatherhood to building. Hood must be supported at top and sides to assure adequate stability. See table on page 1 for correct framing size.
- 6) Attach weatherhood to building using one #14 x 1.5" Tapping Screw (provided) per drilled hole. **See Figure 3.** Caulk around hood for a complete seal.

**NOTE:** A closure strip material should be installed between the hood and a corrugated exterior building surface. **See Figure 3.**



**Figure 2**



**Figure 3**

## WARRANTY

For Warranty claims information see the "Warranty Claims and Return Policy" form QM1021 available from the Munters Corporation office at 1-800-227-2376 or by e-mail at [aghort.info@munters.com](mailto:aghort.info@munters.com).

### Conditions and Limitations:

- Products and Systems involved in a warranty claim under the "Warranty Claims and Return Policy" shall have been properly installed, maintained and operated under competent supervision, according to the instructions provided by Munters Corporation.
- Malfunction or failure resulting from misuse, abuse, negligence, alteration, accident or lack of proper installation or maintenance shall not be considered a defect under the Warranty.

### Munters Corporation

2691 Ena Dr. Lansing, MI 48917-8521 USA  
 (517) 676-7070 Fax (517) 676-7078 [www.munters.us](http://www.munters.us)

**FORM: QM1012**

Rev. 5, October 2018  
 Page 2 of 2