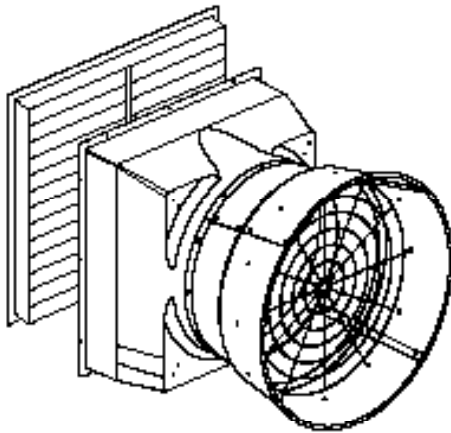


# Advantage® Fans

**Advantage®**



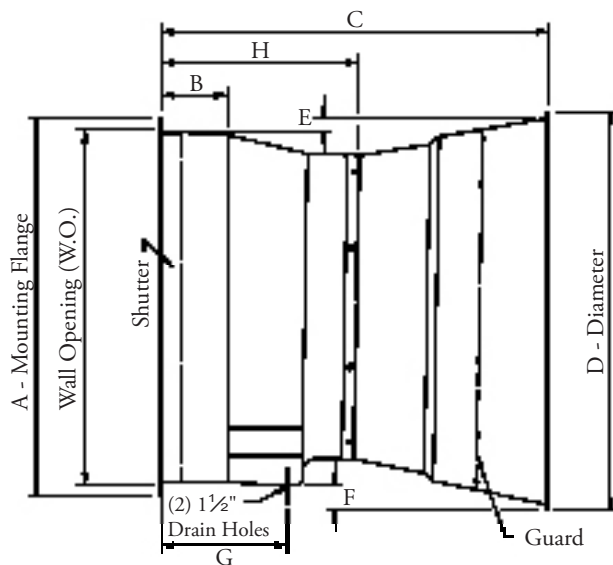
## Technical Specifications

- Cast Aluminum Propeller is standard
- Coated Outlet Guard
- Fiberglass Housing and Discharge Cone
- Plastic inlet Shutter is standard
- Stainless Steel hardware and fasteners
- Belt drive models are standard with single Speed hardware and fasteners
- 36" direct drive Fan standard with variable Speed Motor
- Fan Packages shown with standard features; customized packages available.

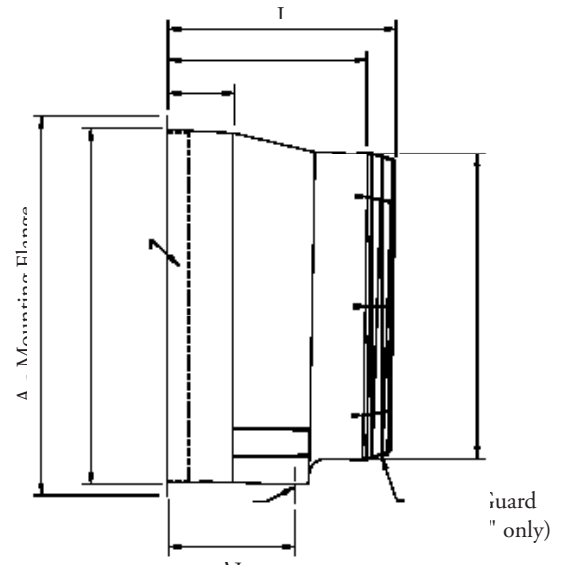
### Dimensions:

| Size | A   | B  | C                                | D   | E   | F                               | G                                | H                                | I                                | J                                | Wall Openings (W.O.) |
|------|---|----|----------------------------------|-----|---|---------------------------------|----------------------------------|----------------------------------|----------------------------------|----------------------------------|----------------------|
| 36"  | 45 <sup>3</sup> / <sub>4</sub> "W.x 45 <sup>3</sup> / <sub>4</sub> " H. | 8" | 47 <sup>3</sup> / <sub>8</sub> " | 48" | 2 <sup>1</sup> / <sub>4</sub> "<br>Above W.O. | 3"<br>below W.O.                | 15 <sup>1</sup> / <sub>2</sub> " | 24 <sup>1</sup> / <sub>8</sub> " | 27 <sup>1</sup> / <sub>2</sub> " | 36 <sup>3</sup> / <sub>4</sub> " | 43" x 43" sq.        |
| 48"  | 57 <sup>3</sup> / <sub>4</sub> "W. x 57 <sup>3</sup> / <sub>4</sub> "H. | 8" | 48 <sup>3</sup> / <sub>8</sub> " | 61" | 2 <sup>5</sup> / <sub>8</sub> "               | 3 <sup>3</sup> / <sub>8</sub> " | 15"                              | 24 <sup>1</sup> / <sub>2</sub> " | 27 <sup>3</sup> / <sub>4</sub> " | 48 <sup>3</sup> / <sub>4</sub> " | 55" x 55" sq.        |

### ■ Advantage with Cone



### ■ Advantage with Outlet Guard



# Technical Specifications

**Technical Data: 60Hz shown (50Hz available for most fans)**

| Size | Drive  | Speed    | HP    | Phase | Voltage     | SF   | SF Amps         | Prop. RPM | Sound (dBA) |
|------|--------|----------|-------|-------|-------------|------|-----------------|-----------|-------------|
| 36"  | Direct | SS or VR | 1/2   | 1     | 230/115     | 1.0  | 3.3/6.6         | 850       | 76          |
| 36"  | Direct | SS       | 1/2   | 3     | 460/230     | 1.0  | 1.3/2.6         | 825       | 76          |
| 36"  | Belt   | SS       | 1/2   | 1     | 230/115     | 1.3  | 3.0/6.0         | 770       | 76          |
| 36"  | Belt   | SS or FQ | 1/2   | 3     | 460/200-230 | 1.3  | 1.0/2.1-2.0     | 770       | 76          |
| 48"  | Belt   | SS       | 3/4   | 1     | 208-230/115 | 1.4  | 4.1-3.7/7.7-7.4 | 515       | 73          |
| 48"  | Belt   | SS       | 1     | 1     | 208-230/115 | 1.4  | 6.6-6.0/11.9    | 57073     | 73          |
| 48"  | Belt   | SS or FQ | 1     | 3     | 460/200-230 | 1.3  | 2.0/4.2-4.0     | 570       | 73          |
| 48"  | Belt   | SS       | 1-1/2 | 1     | 230/115     | 1.0  | 8.5/17.0        | 625       | 75          |
| 48"  | Belt   | SS or FQ | 1-1/2 | 3     | 460/200-230 | 1.15 | 2.4/4.8-4.7     | 625       | 75          |

**Abbreviations:**

SS = Single Speed  
 VR = Variable Speed  
 FQ = Frequency Drive Control

SF = Service Factor  
 SF Amps = Service Factor Amps

**Performance Data: Fan complete with Discharge Cone, Guard and Inlet Shutter**

| Catalog No. | Max. BHP | 0.0" SP |          | 0.05" SP |          | 0.10" SP |          | 0.125" SP |          | 0.15" SP |          | 0.20" SP |          |
|-------------|----------|---------|----------|----------|----------|----------|----------|-----------|----------|----------|----------|----------|----------|
|             |          | CFM     | CFM Watt | CFM      | CFM Watt | CFM      | CFM Watt | CFM       | CFM Watt | CFM      | CFM Watt | CFM      | CFM Watt |
| AT36ZC      | 0.60     | 12,620  | 21.0     | 11,870   | 18.7     | 10,920   | 16.6     | 10,430    | 15.7     | 9,950    | 14.7     | 8,530    | 12.2     |
| AT365ZC     | 0.67     | 12,570  | 21.4     | 11,800   | 19.4     | 10,880   | 17.1     | 10,380    | 16.2     | 9,890    | 15.2     | 8,020    | 12.4     |
| AT487ZC     | 0.94     | 21,600  | 27.5     | 20,400   | 24.7     | 18,700   | 22.1     | 17,400    | 20.3     | 16,100   | 18.5     | 11,750   | 13.0     |
| AT481ZC     | 1.26     | 25,000  | 24.1     | 23,500   | 21.7     | 22,000   | 19.6     | 21,100    | 18.6     | 20,200   | 17.5     | 17,900   | 15.2     |
| AT4815ZC    | 1.69     | 27,500  | 18.8     | 26,100   | 17.2     | 24,800   | 15.9     | 24,050    | 15.2     | 23,300   | 14.5     | 21,600   | 13.2     |

**Fan complete with Outlet Guard and Inlet Shutter**

| Catalog No. | Max. BHP | 0.0" SP |          | 0.05" SP |          | 0.10" SP |          | 0.125" SP |          | 0.15" SP |          | 0.20" SP |          |
|-------------|----------|---------|----------|----------|----------|----------|----------|-----------|----------|----------|----------|----------|----------|
|             |          | CFM     | CFM Watt | CFM      | CFM Watt | CFM      | CFM Watt | CFM       | CFM Watt | CFM      | CFM Watt | CFM      | CFM Watt |
| AT36ZG      | 0.57     | 10,800  | 17.4     | 10,100   | 16.1     | 9,250    | 14.5     | 8,850     | 13.8     | 8,400    | 13.0     | 7,550    | 11.5     |
| AT365ZG     | 0.74     | 11,700  | 18.5     | 10,800   | 16.4     | 9,950    | 15.0     | 9,500     | 14.2     | 9,000    | 13.2     | 8,050    | 11.4     |
| AT487ZG     | 0.98     | 19,000  | 22.4     | 18,000   | 20.6     | 16,500   | 18.6     | 15,400    | 17.4     | 14,200   | 15.9     | 11,900   | 13.2     |
| AT481ZG     | 1.0      | 22,000  | 19.6     | 20,800   | 18.1     | 19,400   | 16.5     | 18,600    | 15.8     | 17,800   | 15.0     | 16,200   | 13.5     |
| AT4815ZG    | 1.64     | 23,900  | 15.7     | 22,900   | 14.8     | 21,500   | 13.6     | 20,900    | 13.2     | 20,300   | 12.8     | 19,100   | 12.0     |

**NOTE:**

- Performance is shown for installation type A: Free inlet, Free outlet.
- Speed (RPM) shown is nominal. Performance is based on actual test speed.
- Performance ratings include the effects of a discharge cone, guard and inlet shutter in the airstream.

BDZ-TS r3 © Copyright March 2008