

EDHE
EDSHE
EDTHE

Manual for use and maintenance



+ EU Declaration of conformity

EDHE/EDSHE/EDTHE

Air extraction fan/Air circulation fan

Models: ED36HE/EDS36HE

ED36HE/EDS36HE E-Line

ED30HE/EDS30HE - EDT30HE

ED24HE/EDS24HE

EDHE/EDSHE/EDTHE

Manual for use and maintenance

Revision 1.5

This manual for use and maintenance is an integral part of the apparatus together with the attached technical documentation and has been produced with reference to Directive 2006/42/EC, paragraph A, Annex II, and to ErP Directive 2009/125/CE Commission Regulation 327/2011.

This document is destined for the user of the apparatus: it may not be reproduced in whole or in part, committed to computer memory as a file or delivered to third parties without the prior authorisation of the assembler of the system. Munters Italy S.p.A. reserves the right to effect modifications to the apparatus in accordance with technical and legal developments and to make alterations to specifications, quantities, etc., for production or other reasons, subsequent to publication.

Warranty:

For Warranty information please refers to "General terms and condition of sale" available on https://www.munters.com/globalassets/terms-and-policies/condizioni_generali_vendita.pdf

Conditions and Limitations:

- Products and Systems involved in a warranty claim under the "General terms and condition of sale" shall have been properly installed, maintained and operated under competent supervision, according to the instructions provided by Munters;
- Malfunction or failure resulting from misuse, abuse, negligence, alteration, accident or lack of proper installation or maintenance shall not be considered a defect under the Warranty.



Index

<i>chapter</i>		<i>page</i>
1.	EU DECLARATION	5
	1.1 Disclaimer	6
	1.2 Introduction	6
	1.3 Notes	6
	1.4 Data for Fan Ecodesign Directive	6
	1.5 Attached technical documentation	7
	1.6 Disposal	7
2.	SAFETY ASPECTS	8
	2.1 Personnel requirements	8
	2.2 General safety instructions	9
	2.3 Safety devices	9
	2.4 Residual risks	11
3.	BEFORE USING	13
	3.1 Delivery check	13
	3.2 Packaging and transport of assembled fans	13
	3.3 Structure	13
4.	OPERATING CONDITIONS	14
	4.1 Intended conditions of use	14
	4.2 Non-permitted conditions of use	14
5.	INSTALLATION	17
	5.1 Choice of site and checking installation requirements	17
	5.2 Installing Series ED fans	18
	5.3 Installing Series EDS fans	19
	5.4 Connection to the electrical system	19
	5.5 Tests and checks before startup	22
6.	INVERTER	23
	6.1 Working range	23
	6.2 Leds	23
	6.3 Alarm	24
	6.4 Mobile device APP	25

7.	COMMISSIONING	31
	7.1 Control devices	31
	7.2 Instructions for machine use	31
8.	TECHNICAL DATA	33
	8.1 Dimensions	33
	8.2 Technical specifications	34
	8.3 Motor specifications	35
9.	MAINTENANCE	36
	9.1 Introduction	36
	9.2 Cleaning	36
	9.3 Replacement of propeller	37
	9.4 Replacement of shutter bearing assembly	39
	9.5 Fan bearing lubrication	39
	9.6 Replacement of shutter opening device (centrifugal system)	39
10.	SPARE PART LIST	41
11.	WARRANTY	64

**WARNING**

All the components and spare parts MUST be stored in dry and clean environment.

EU DECLARATION OF CONFORMITY

(complies with Subparagraph A Annex II Directive 2006/42/EC)

Munters Italy S.p.A.

with registered offices in Strada Piani 2 - 18027 Chiusavecchia (IM) - Italy
(Company registration nr. 00081050080)

DECLARES ON ITS OWN RESPONSIBILITY THAT THE APPARATUS

Designation	Fan designed for moving air to control temperature and humidity in greenhouses or rearing sheds.
Model	ED/EDS36HE - ED/EDS36HE E-Line - ED/EDS30HE - ED/EDS24HE - EDT30HE

CONFORMS WITH THE ESSENTIAL SAFETY REQUIREMENTS STATED
BY APPARATUS DIRECTIVE 2006/42/EC AND PERFORMANCE REQUIREMENTS
COMPLY WITH THE ERP DIRECTIVE 2009/125/CE.

WITH PARTICULAR REFERENCE TO THE FOLLOWING PROVISIONS:

UNI EN 953:2009, UNI EN ISO 12100:2010, UNI EN ISO 12499:2009,
UNI EN ISO 13857:2008, CEI EN 60204-1:2006 (CEI 44-5), UNI EN ISO 5801:2009

Chiusavecchia, 15th July 2024

Daniela Giglioli



Legal representative

1.1 Disclaimer

Munters reserves the right to make alternations to specifications, quantities, dimensions etc. for production or other reasons, subsequent to publication. The information contained herein has been prepared by qualified experts within Munters. While we believe the information is accurate and complete, we make no warranty or representation for any particular purposes. The information is offered in good faith and with the understanding that any use of the units or accessories in breach of the directions and warnings in this document is at the sole discretion and risk of the user.

1.2 Introduction

Congratulations on your excellent choice of purchasing a Munters fan!

In order to realize the full benefit from this product it is important that it is installed, commissioned and operated correctly. Before installation or using the fan, this manual should be studied carefully. It is also recommended that it is kept safely for future reference. The manual is intended as a reference for installation, commissioning and day-to-day operation of the Munters fans.

1.3 Notes

Date of release: 2024.

Munters cannot guarantee to inform users about the changes or to distribute new manuals to them.

All rights reserved. No part of this manual may be reproduced in any manner whatsoever without the expressed written permission of Munters. The contents of this manual are subject to change without notice.

1.4 Data for Fan Eco Design Directive

Product information requirements* → <i>(according to ANNEX I - 3.2 of regulation)</i>	1	2	3	4	optional	5	6a	6b	6c	7	8
Fan description*	Overall efficiency $\eta\%$	Measurement category	Efficiency category	Efficiency grade	Target efficiency grade 2015	VSD must be installed with the fan	Motor power input at optimum energy efficiency [W]	Flow rate at optimum energy efficiency [m ³ /h]	Pressure at optimum energy efficiency [Pa]	RPM at optimum energy efficiency	Specific ratio
ED36HE 0.75hp 3ph 50Hz OS	36,7	A	static	43,7	40	no	774	12.603	81,1	916	1
ED36HE 0.75hp 3ph 50Hz MS	33,6	A	static	40,4	40	no	842	12.659	80,4	892	1
ED36HE 0.75hp 1ph 50Hz MS	33,3	A	static	40,1	40	no	841	12.279	82,2	893	1
ED36HE 1.1hp 3ph 50/60Hz E-Line	43.6	A	static	50.8	40	yes	720	12.575	81.9	949	1
ED30HE 0.50hp 3ph 50Hz OS	33	A	static	40,5	40	no	662	8.884	88,5	906	1
ED30HE 0.50hp 3ph 50Hz MS	32,6	A	static	40,2	40	no	622	9.154	79,6	882	1
ED30HE 0.50hp 1ph 50Hz MS	32	A	static	40	40	no	545	7.899	79,5	907	1
ED24HE 0.50hp 3ph 50Hz OS	32,9	A	static	40,4	40	no	655	7.019	110,5	1365	1

ED24HE 0.50hp 3ph 50Hz MS	32,5	A	static	40,3	40	no	593	6.298	110,4	1307	1
ED24HE 0.50hp 1ph 50Hz MS	32,3	A	static	40,2	40	no	572	6.014	110,5	1380	1

**Fans tested are configured according to COMMISSION REGULATION (EU) No 327/2011 of 30th March 2011 - ANNEX II - 1.5. Efficiency values, according to Commission Regulation (EU) 327/2011, refers to exhaust fans only.*

1.5 Attached technical documentation

The listed documentation is to be considered an integral part of this manual:

- technical sheet/electric motor instruction booklet.

1.6 Disposal

Do not dispose of this product with general household waste. This product must be disposed according to the laws governing Waste Electrical and Electronic Equipment. If required, contact your local authorities for information regarding the available disposal facilities.



WARNING

Failure to respect safety or behavioural rules can produce hazardous situations for users as well as damage to the machine and the place where it is installed. The fan must only be used if it is in perfect operating condition, by personnel who are perfectly aware of the safety measures and possible hazards, and in strict compliance with the instructions given in this manual.

2.1 Personnel requirements

This appliance is not intended for use by persons (including children) with reduced physical, sensory or mental capabilities, or lack of experience and knowledge, unless they have been given supervision or instruction concerning use of the appliance by a person responsible for their safety. Children should be supervised to ensure that they do not play with the appliance

Equipment may only be used by personnel who know and apply the specific requirements given in the user and maintenance manual and the more general instructions contained in various regulations for accident prevention and applicable legislation regarding safety in the workplace, as well as other European Community directives incorporated by the member states into their national legislation.

Knowledge and understanding of the manual and of the attached documents constitute an indispensable tool for reducing hazards and promoting the safety and health of workers.

Personnel training

All operators engaged in the use of the fan must have received adequate information from the employer relating to:

- risks to health and safety at work connected with the use of the machine;
- first aid procedures, fire precautions and evacuation of workplaces;
- devices provided for the safety of operators, and residual risks generated by the machine.

In particular, the employer has the following duties:

- when assigning tasks to operators, to take into account their capabilities in the interests of safeguarding their health and safety;
- to provide adequate means of protection;
- to require compliance by individual operators with the company rules and provisions regarding safety and the use of the collective and individual protective measures at their disposal;
- to ensure that normal and special maintenance operations, or in any event operations necessary for machine safety, are regularly carried out.

All operators must take care of their own safety and health as well as that of other people in the workplace who may be affected by their actions or omissions, in accordance with their personal skills, and the instructions and means provided to them by the employer.



WARNING

Unauthorized tampering/replacement of one or more parts of the machine, or the use of accessories, tools or materials other than those recommended by the manufacturer, are prohibited and release the manufacturer from all liability.



WARNING

Operators must be trained to deal with the occurrence of possible faults, malfunctions or dangerous conditions to themselves or others, and in such an event must:

- stop the fan immediately by operating the emergency stop device (mushroom-shaped pushbutton/main switch mounted on the electrical panel);
- not carry out operations which are beyond their duties and/or technical knowledge.

2.2 General safety instructions



WARNING

- Safety devices must not be removed or rendered ineffective;
- the fan must not be started with guards removed;
- any adjustment or maintenance operation must be performed with the electrical isolating device activated and locked in position with a padlock;
- any operation is prohibited which may cause arcing or sparks or other situations which could start a fire;
- in the event of alarm signals resulting in the intervention of safety devices, the operator must ask for immediate action by qualified technicians responsible for maintenance;
- user must ensure that the environmental and electricity supply conditions in which the fan operates are always within the limits specified in this user manual;
- do not for any reason modify parts of the fan in order to fit additional devices.

2.3 Safety devices

In the process of designing and building the fan, the manufacturer adopted the necessary technical solutions to ensure compliance with fundamental safety requirements: the object of the risk reduction process was to ensure that the operator can use the fan in safety. The machine is provided with protection devices of fixed type and is fitted with an actuator for the emergency stop function.

Fixed guards

The fixed guards are solidly fixed to the structure of the machine and cannot easily be eluded: the guards are fixed with systems which require the use of tools for dismantling.



WARNING

Do not start the fan with fixed guards removed: the guards can only be removed with special tools, by specialized and trained personnel and with the system stationary (emergency system activated and electricity and hydraulic fluid isolated). At the end of maintenance operations, the guards which were removed must be replaced correctly.

Position of guard	Type of guard	Notes
Outlet side of fan	Guard of fixed type made of metal mesh.	Dimensions and positioning in accordance with the instructions in the standard UNI EN 13857. Removable only by means of special tool.

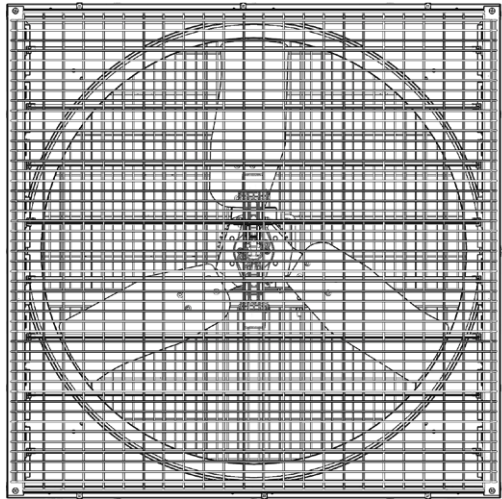


fig. 1

Intake side of fan	Guard of fixed type made of metal mesh.	Dimensions and positioning in accordance with the instructions in the standard UNI EN 13857. Removable only by means of special tool
--------------------	---	--

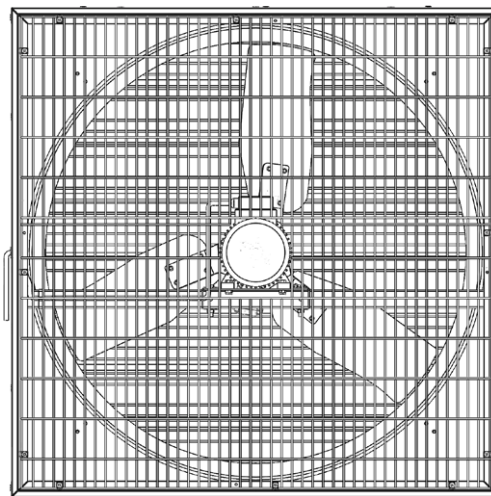


fig. 2

Emergency stop function



fig. 3

The machine must be equipped at the installation stage with an electrical panel, on which must be installed an actuator for the emergency stop function, which when operated brings dangerous movements to a halt by isolation of the power supply: the button must be mushroom-shaped and coloured red, provided with mechanical restraint and released by turning.

2.4 Residual risks

Mechanical hazards		
Part of machine/stage of use	Description	Plates/provisions/PPE
Installation of machine	Hazard arising from failure to observe ergonomic principles, caused by excessive strain, i.e. generic mechanical hazard during the moving and installing stages of the machine.	<p>fig. 4</p>
Electrical hazards		
System area	Description	Plates/provisions/PPE
Panels, covers and electrical apparatus.	The safety signs must be fixed in an extremely visible position on the door of the electrical panel and on covers containing electrical apparatus, to highlight the risks to which an operator could be exposed in the event of opening the electrical panel (danger resulting from the presence of live parts), the level of voltage present, the prohibition of tampering by unauthorized personnel and the prohibition on the use of liquids on electrical apparatus in the event of fire.	<p>fig. 5</p>

Hazards generated by noise	
Fan model	Max sound pressure level Lp [dB(A)]
ED36HE/EDS36HE - 0.75 hp	77.5
ED36HE E-Line - 1.1hp	72.1
ED30HE/EDS30HE/EDT30HE - 0.50 hp	76.0
ED24HE/EDS24HE - 0.50 hp	76.2

A measurement has been made of the noise produced by the machine during normal operation in order to calculate the equivalent level in conditions of normal use. These values are shown in the above table. The measurement has been taken according to the UNI EN ISO 11202:2010.



WARNING

The user and the employer must comply with current national law in terms of protection against daily personal exposure of operators to noise, by providing the use of personal protective equipment (earmuffs, earplugs, etc.) if necessary, depending on the overall level of sound pressure in the installation area, and the daily personal exposure of the employees. In areas where the overall sound level reaches excessive values, personal protective equipment must be used.



WARNING

The fan must only be used if it is in perfect operating condition, by personnel, aged more than 14 years who are perfectly aware of the safety measures and possible hazards, and in strict compliance with the instructions given in this manual.

3.1 Delivery check

Upon receipt, inspect the fan for external damage and if found, inform the forwarding agent without delay. Check the data on all the rating plates, especially voltage and frequency. Turn propeller by hand to check free rotation. Check the opening of the shutter by hand.

3.2 Packaging and transport of assembled fans

The fan has a self-supporting structure in galvanised steel and it is usually delivered without packaging. Upon request fans can be delivered packed in cardboard boxes. Fans should not be permanently stocked one upon the other, regardless if they are delivered with or without packaging. Handling of the fans should not be done manually as the fans have no handles or grips. Consequently one of the following alternatives should be used:

- trolley: when loading the fan on the trolley make sure fan shutter is positioned outwards;
- forklift: before loading, make sure the forks are opened as much as possible to avoid bending of the fan bottom panel and damaging the shutter;
- crane: fix two bolts in the M8 bushes situated on the sides of the fan housing and hook the lifting cable over the bolts



WARNING

Make sure a steel cable or rope of adequate size is being used when the fan is lifted by crane. Fan weights are shown in the technical specification table (see section 7.1).

3.3 Structure

The fans consist of the following components:

- fan housing in Munters Protect coated steel without welding spots;
- fan shutter in Munters Protect coated steel, which pivots on UV protected plastic bushes and pins;
- propeller with three blades in stainless or Munters Protect coated steel; blades are fixed to the propeller by high-strength pop rivets;
- asynchronous three-phases motor (single-phase upon request); 50 or 60 Hz; B3 form; F class winding insulation, IP55 protection class; single-speed or multi-speed;
- centrifugal operated shutter opening device.

Operating conditions

4.

4.1 Intended conditions of use

Fans, fanjets and circulators are machines designed for moving air to control temperature and humidity in greenhouses or rearing sheds by extraction or internal recirculation, not for being operated in positive pressure environments. They can even be installed horizontally, without altering or modifying their characteristics.

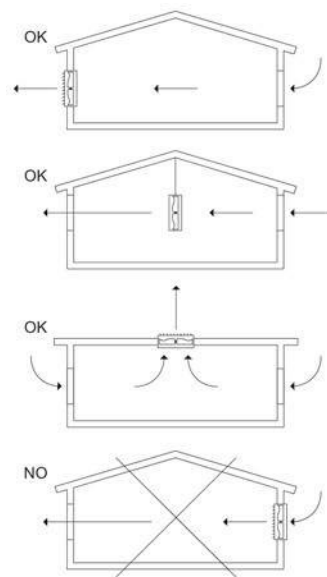


fig. 6

The fan has been designed and built to operate in safety for the user, if used according to the conditions intended by the manufacturer and stated in this user and maintenance manual.



NOTE

For further information, please refer to the technical documentation attached to this manual.


4.2 Non-permitted conditions of use


Total or partial failure to observe the instructions given in this manual could cause damage to the fan and/or people.

The following uses are to be considered not permitted and improper:

- use in the event of faults and/or tampering with the installed safety devices;
- use by personnel not specifically trained;
- installation of the fan operating in positive pressure environments;
- use contrary to existing regulations;
- incorrect installation differing from instructions given in this manual;


- supply from an electrical network with characteristics different from that specified in the wiring diagram;
- total or partial failure to observe instructions;
- insufficient maintenance;
- use of non-original spare parts;
- use of lubricants with characteristics different from those specified in the technical documentation attached to the manual;
- use by minors;
- use under the influence of drugs, alcohol, etc.

		WARNING	<p>Use of the fan other than as described in the user manual or outside the operational limits laid down by the manufacturer is considered IMPROPER USE. In the event of IMPROPER USE the manufacturer declines all liability in relation to any damage that may be caused to persons or property, and any kind of warranty will be considered invalidated.</p>
---	--	----------------	---

		WARNING	<p>If unusual oscillating movement is observed, immediately stop using the fan and contact the manufacturer, its service agent or suitably qualified persons.</p>
---	--	----------------	---

Use of non-original spare parts

Original spare parts ensure the reliability and safety of the operation of the fan: in the event of maintenance/ replacement, consult the spare parts list, the list of parts and components used and the relevant technical documentation attached to this manual.

		WARNING	<p>In the event of replacement of safety devices, it is essential to maintain the safety and operational characteristics of the original device, preferring replacement with an identical component.</p> <p>The replacement of parts of the safety suspension system device shall be performed by the manufacturer, its service agent or suitably qualified persons.</p>
---	--	----------------	--


Insufficient maintenance

A correct normal maintenance is one that maintains the original integrity or restores the fan's efficiency, while at the same time limiting normal deterioration resulting from use.

Special maintenance work can also prolong the usable life of the machine and/or, secondarily, can improve its efficiency, reliability, productivity and ease of maintenance and inspection.

Unauthorized modifications or tampering

No operation is permitted which is aimed at making modifications to the fan and the safety devices fitted to it; similarly, it is not possible to alter its operational and performance characteristics.

		WARNING	<p>Interference with the command and control circuits is prohibited: such operations could cause damage to the equipment and serious danger to the operator.</p>
---	--	----------------	--

**NOTE**

Modifications made to the fan which do not come into the categories of normal and special maintenance, or which alter its operational and performance characteristics, invalidate the machine's compliance with the requirements of the applicable directives, as attested by the manufacturer with the EC declaration of conformity: it is up to the person responsible for the modification to resubmit the machine to the assessment conformity procedures specified in the applicable directives.

Use in a potentially explosive atmosphere

The fan has been designed and built to operate in environments where the presence of a potentially explosive atmosphere is not expected, in other words it is not intended to handle materials which release explosive dust. Emission into the atmosphere of harmful particles or gases must be contained within the limits established by current regulations.

**WARNING**

The fan has been designed and built in such a way that it CANNOT operate in a classified area, according to directive 1999/92/EC.

**WARNING**

The metal sheets used for constructing the fan housing and shutter blades have a surface coating made of an alloy of Zinc, Aluminum and Magnesium, classified as ZM120 (equivalent to 9 µm of coating thickness on each side of the panels) which corresponds to a corrosion resistance in salty mist of 1800 hours. Whenever it is intended to use the fans in ambients characterized by the presence of particularly aggressive agents (ammonia, clavulanic acid, etc.) the user, before installing the fan at the installation site must verify that the environmental conditions are compatible with the intended use of the materials that compose the fan.

After fan has been delivered but before fitting and installation, check condition of the consignment: in the event of discrepancy or damage to the machine, the manufacturer or carrier must be informed immediately.



WARNING

Fitting and installation of the fan must be performed by specialized personnel, in order to prevent damage to the equipment or hazards to people as a result of faulty fitting.

Fitting the fan must be carried out according to the following stages:

- positioning and anchoring the fan;
- connection to the mains electricity supply;
- operational testing and putting into operation.

5.1 Choice of site and checking installation requirements

The user is responsible for preparing an area suitable for installation of the equipment and complying with the requirements laid down by European directives and national law governing safety at places of work.

Environmental conditions for operating the equipment are as follows:

Ambient temperature during operation	Ambient humidity during operation
- 15°C / + 40 °C	< 90%

For operation of fan installation, a manoeuvring area must be made available that is suitable for the fan dimensions and the chosen lifting equipment: electrical points must be provided in the installation area for fan connection to the mains electricity supply.




WARNING

The fans must be installed at a height of not less than 2.7 m from the ground. If they are installed at a lower height, the fans must be fitted with the optional pyramidal safety mesh by the manufacturer, to protect the internal rotor. Failure to install the safety mesh releases the manufacturer from all liability and shall be considered an improper use of the machine.

Irrespective of the place of installation, suitable indelible warning signs are attached to the fan, warning of danger and giving instructions to remain at a safe distance not to place hands inside the shutter and not to run in proximity of the fan.

The warning signs are yellow, self-adhesive and indelible. They are fitted to the front and rear of the fan, and marked with the numbers A-1997 and B-1997 (see fig.4).

The area adjacent to the fan in the premises from which air is being extracted must be kept clear to allow the air to exit freely. It is also prohibited for anyone to remain in this area, because of the presence of organic gases and dust which may be present in the airflow.

 **WARNING** There must be no obstacle neither in front or behind the fans. The outgoing airflow must be kept free at least of 3-times fan diameter and the ingoing airflow must be kept free at least in a radius of 1.5 m distance in front of the fan.

A-1997




fig. 7

B-1197





fig. 8

 **WARNING** The fans must be installed to carry out extraction or an internal circulation of the air present in the area, and must not operate in positive pressure environments. It is also permissible to install the fan in a horizontal position.

5.2 Installing Series ED fans

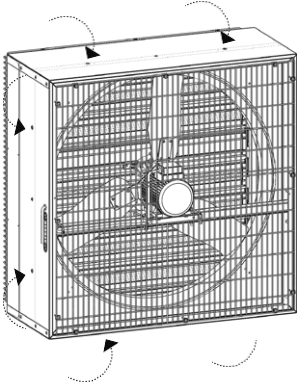


fig. 9

If the fan is fixed directly to a metal structure, M8 bolts type 8.8 must be used, screwing them into the threaded inserts provided for the purpose on the bodywork (two per side).

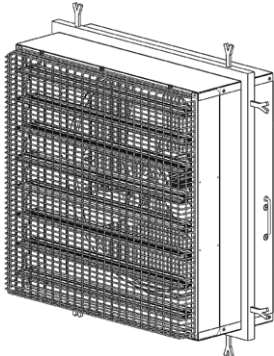


fig. 10

If the fan is installed in a masonry structure, an iron outer frame must be constructed (not supplied with the fan), with a 60 mm L-shaped profile at least 5 mm thick, with suitably-sized clamps. When the outer frame is properly built-in, i.e. perfectly level and upright, insert the fan, screwing four M8 bolts type 8.8 (not supplied with the fan) into the threaded inserts provided on the sides of the bodywork, two per side.

5.3 Installing Series EDS fans

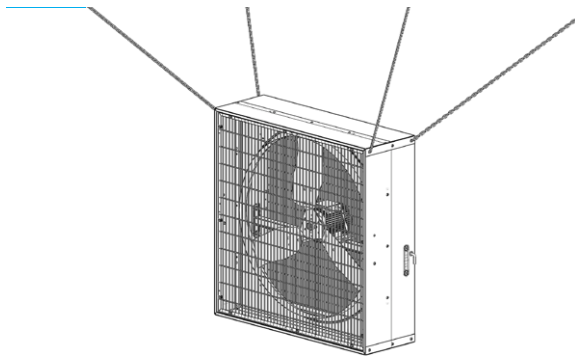


fig. 11 - EDS36 model

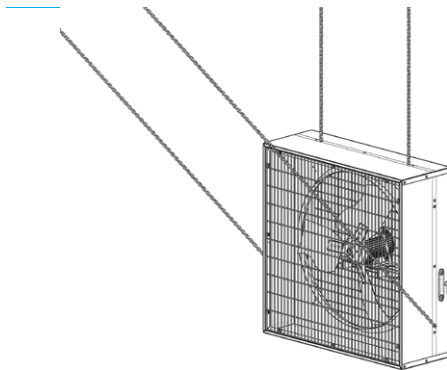


fig. 12 - EDS24/30 models

The fan has to be fixed by means of M8 eyebolts type 8.8, screwing them into the threaded inserts provided for the purpose on the bodywork (two per side).



WARNING

Always check up if cable and chain dimensions are suitable to hold up the fan's weight and if they have the proper length to distribute the strain uniformly. Dimensioning must include also the thrust generated by airflow.

5.4 Connection to the electrical system

The fan is supplied without a command and control circuit, but with all the internal electrical connections already made. At the fitting stage, the installer must set up a control panel in compliance with the requirements of standard IEC EN 60439-1, and arrange the wiring of the fan in accordance with the instructions in standards IEC EN 60204-1 and IEC 60364.

The electrical panel of the fan must generally be equipped with the following devices (bearing EC marking as per directive 2014/35/UE):




fig. 13


Lockable isolating switch.




fig. 14

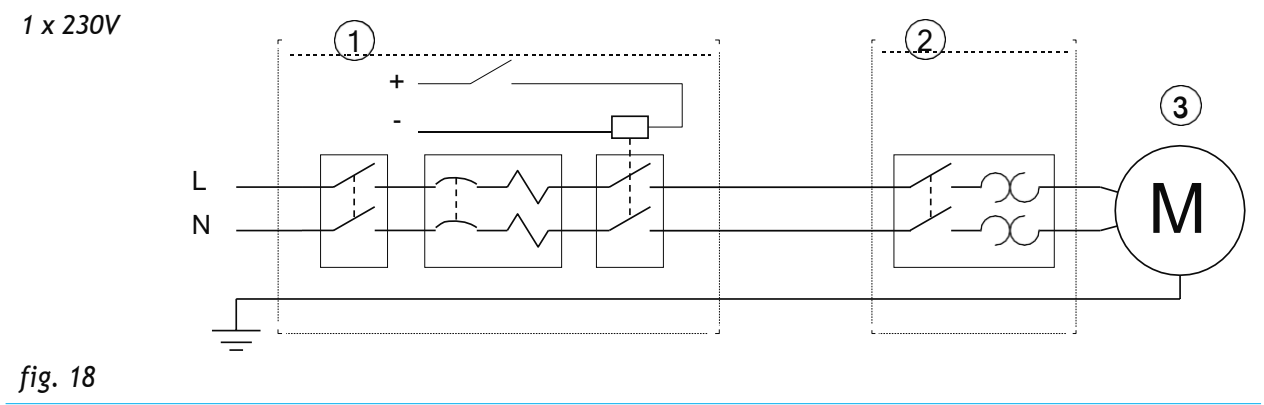
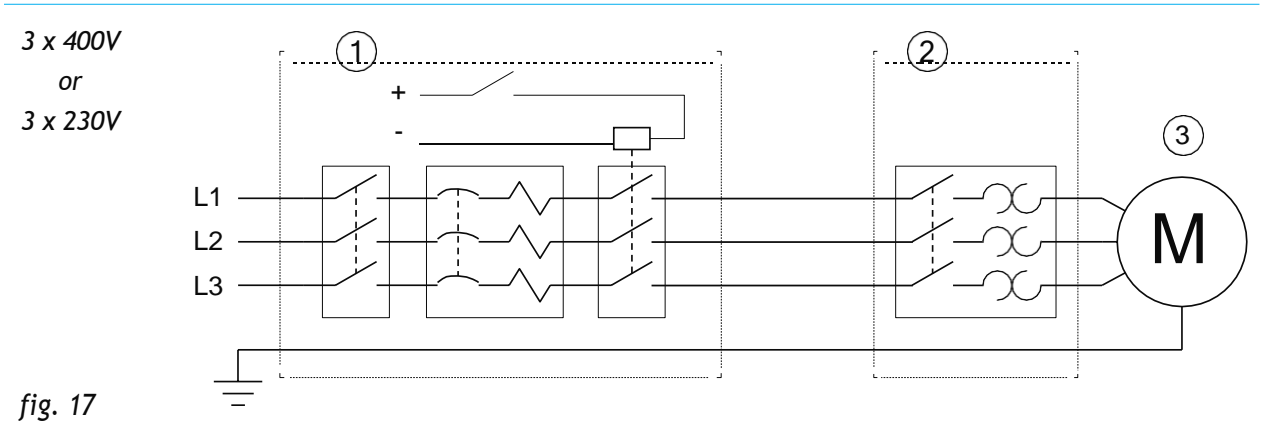
Magnetothermal switch (chosen to suit the power of the motor). The need to fit a switch of differential type depends on the configuration of the electrical system supplying the fan: it is the installer's responsibility to make this assessment in accordance with the instructions in standard IEC 60364.

 <p>fig. 15</p>	<p>Red emergency stop button, mushroom type, provided with mechanical locking and release by turning (in compliance with UNI EN ISO 13850). Operating the button must bring about the electromechanical isolation of the power supply to the electric motor (category 0/1 according to IEC EN 60204-1).</p>
--	---

 <p>fig. 16</p>	<p>Start/stop selector switch (with characteristics compatible with the nominal current of the motor), or main panel for managing the equipment, with control devices which act on the electrical supply to the fan.</p>
--	--

	<p>WARNING</p>	<p>Do not supply power to the fan during installation stage. Installer must issue a declaration of correct installation in accordance with applicable legislation in the country of use.</p>
---	-----------------------	--

Below are suggested wiring diagrams for connecting the fan to the mains electrical supply. These diagrams are however subject to local laws and regulations and should be modified if necessary to comply with such laws and regulations.



- ① = Overload protection switch
- ② = Circuit breaker
- ③ = Fan motor

**WARNING**

The rating plate data of the electric motor and the instructions given in the attached technical documentation must be used for sizing the power supply cable.

In the event of installations that do not comply with the directions given in this chapter, the manufacturer's liability ceases, along with the validity of the CE Declaration of Conformity.

The electrical lines must be laid in accordance with requirements of the laws applying in the place of installation, and in any event:

- they must be laid with cables of adequate section for the power of the fan and the length of the line itself;
- they must make an effective earth connection;
- they must have isolating devices and automatic protection against overload and short circuits.

Before activating the electrical supply to the machine by turning the isolator switch to position On, a series of checks must be made:

- check that the voltage and frequency of the power source correspond to those indicated in the equipment technical data and electrical diagram;
- check that the supply cables and the conductor providing external protection are correctly connected;
- check that the connections in the control and power circuits are properly tight;
- check that the intensity of the short-circuit expected at the connection terminals is compatible with the breaking power of the protection switch upstream of the electrical panel;
- check that the protection devices (fuses, magnetothermic switches) are correctly sized, and that the phases are connected in the correct order: check that the fan rotates clockwise; look at the exhaust side of the fan and check rotation of propeller (*see fig. 19*).

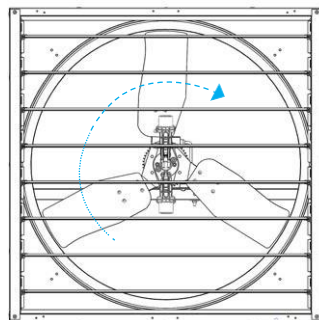


fig. 19

Equipotential protection circuit

To create effective protection against the risk of electrocution, the outer protection conductor must be connected to terminal PE inside an electrical panel.

For correct sizing of the protection conductors, see following requirements as indicated in standard IEC EN 60204-1:

- phase conductor up to 16 mm²: section of the protection conductor equal to the section of the supply conductor;
- phase conductor between 16 and 35 mm²: section of protection conductor equal to 16 mm²;
- phase conductor over 35 mm²: section of protection conductor equal to at least half the section of the supply conductor.

**WARNING**

When connecting all the metal masses to the earth system, check that there are no insulating elements between the various conductive masses (metal parts). The system must not be put into operation unless the equipotentiality of the masses and the connection to the earth system have previously been checked.

Protection against contact voltages

The choice of device to protect the electrical system must be made in such a way as to ensure the safe intervention of the main automatic switches and any differential devices linked to them. For an appropriate choice of the type of protection for the machine's supply line, taking into account whether the distribution system is TT or TN, it is advisable to consult an electrical systems designer, in order to ensure compliance with the requirements of standard IEC 64-8 or the equivalent provisions in the country where the machine is being installed.

5.5 Tests and checks before startup

Before startup, it is extremely important to carry out a very careful check of the fan, in order to prevent malfunctions and/or accidents.

In particular, perform the following operations:

1. Equipotential protection circuit:
 - check the fan visually, verifying that there are no particular mechanical irregularities or foreign bodies inside the structure;
 - check that the protective structures (fixed guards made of metal mesh) are correctly positioned and fixed;
 - check that the emergency stop function actuator operates correctly.
2. Checking the electrical system:
 - check that the supply conductors are properly fixed to the terminals of the isolating switch;
 - check the connections of the conductors in the equipotential circuit;
 - check that the guards inside the electrical panel are correctly positioned and fixed;
 - check that the safety devices are receiving power and are active, and check their effectiveness.

After this series of checks has been carried out, the fan is ready for its first startup.

**WARNING**

Some models of our fans allow to adjust the number of revolutions through inverter (also called VFD). In case of adjustment made by VFD the installer has to pay particular attention to the following aspects:

- it is necessary that the resistance of the ground line to which the equipment are connected has a very low values (about 15-20 ohm) in order to avoid high currents that can flow through the motor bearings and damage them.
- It is necessary to install the proper line filters, to avoid interference and allow proper operation of the equipment.
- The minimum frequency of operation of the engines in the case of absence of a forced external ventilation is 30 Hz. In the case of an operating frequency below 30 Hz is necessary to provide an external forced ventilation to the engine. Any speed adjustment carried out with an inverter not supplied by Munters may not allow the shutter to open correctly.
- Any speed adjustment carried out with an inverter not supplied by Munters may not allow the shutter to open correctly

Inverter

6.

This chapter illustrates the main characteristics of the inverter that equips E-Line version.

6.1 Working range

Voltage	Phases	Frequency
208 - 230Vac (-15% / +10%)	Single phase or 3-phases	50 or 60Hz
400 - 480Vac (-15% / +10%)	3-phases	50 or 60Hz

STAR: TN, TT and IT. DELTA corner grounded

Ambient working temperature:	-20°C ÷ 50°C
RH%	0 ÷ 95%

The Motor and Inverter are IP66

6.2 Leds

The device is equipped with two LEDs, one green and one red, which are used to signal different states of the device as shown in the following table:

Led Green	Led Red	Description
Off	Off	No power supply active
On	Off	Device working in the correct way
Off	Blinking	Alarm
Blinking	Blinking	Firmware updating

Connection scheme

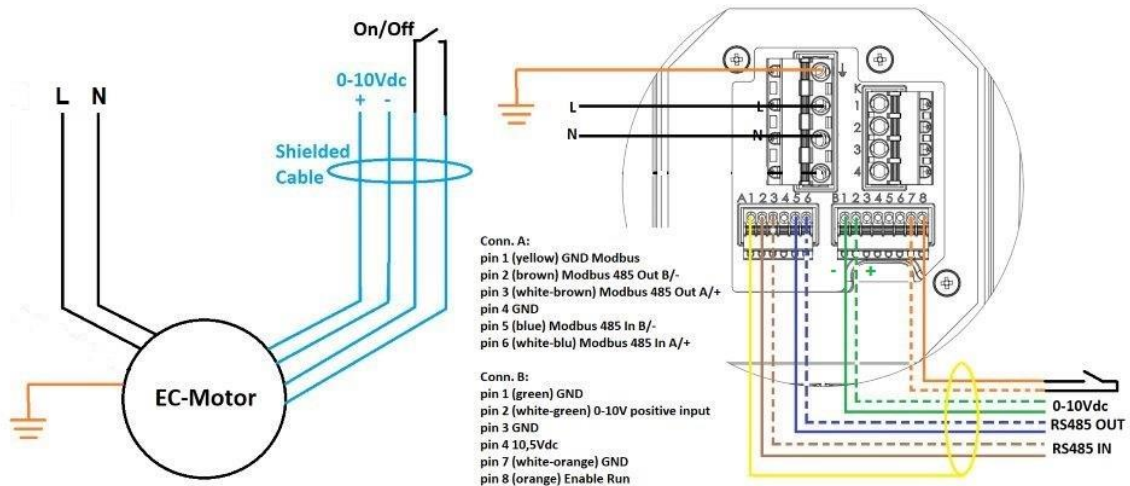


fig.1 wiring diagram for single-phase models

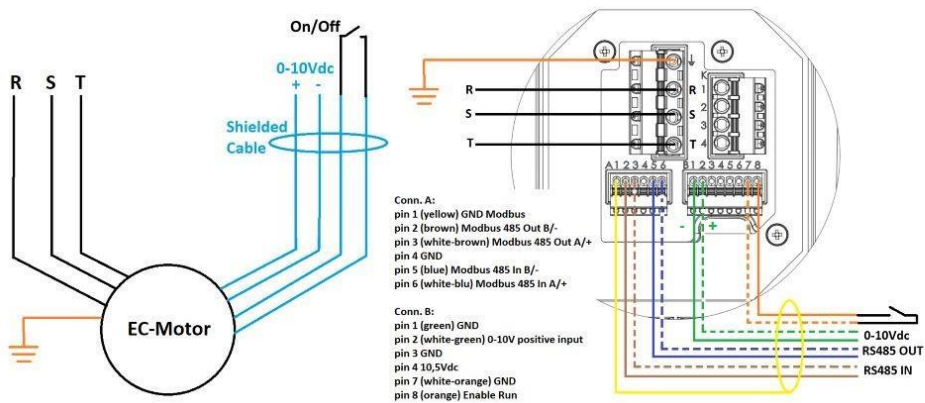


fig.4 wiring diagram for three-phase models



The power cable must be separated from the signal cable as per regulations
 The shield of the signal cables (On/Off and 0-10Vdc or Modbus) must be connected to the gnd on the control unit side and not to earth.
 Tighten the M4 screws of the terminal block cover with a torque of 3 Nm.

6.3 Alarm

The following table shows the identification codes of the possible alarms that the device can generate:

Code	Description
1	Over Voltage: device supply voltage too high
2	Under Voltage: supply voltage too low
3	Temperature too high
4	Over Current (lock)
5	Loss of synchronism (lock)
6	Over Current
7	Loss of synchronism
8	Internal communication loss
9	Extra energy dissipated by the braking resistor
10	Broken fuse or loss of phase

6.4 Mobile device APP

When you open the app it start scan for nearby inverter devices, displaying a list of all the devices found.

To connect a device in the list, simply click on its address/name.

When connecting, the app may require you to enter the inverter pairing code which is the following: 123456.

The inverter maintains a list of devices coupled to it; in the event that the device (smartphone, tablet, etc.) with which the connection is made is not present in the list, the app will request the insertion of the pairing code while otherwise it will not require the insertion of any code.

Dashboard

This tab of the application displays a whole series of information that allows monitoring of the device.

The information displayed is shown in the following table.

Table 1

Parameter	Description
HW	Hardware type (400Vac or 230Vac)
FW MAIN	Firmware version (motor microcontroller)
FW INTERFACE	Firmware version (interface microcontroller)
FW BLE	Firmware version (BLE module)
Inverter status	State of the inverter (standby, run or alarm)
Alarm Code	Alarm code
IGBT Module Temperature	Temperature IGBT power module [°C]
NTC Sensor Temperature	Temperature NTC sensor inside the inverter [°C]
Measured Speed	Measured rotation speed [rpm]
VBUS DC	Measured internal DC Bus Voltage [V]
Vd	Inverter Direct Voltage [V]
Vq	Inverter Orthogonal Voltage [V]
Vtot	Inverter Total Voltage [V]
Id	Inverter Direct Current [A]
Iq	Inverter Orthogonal Current[A]
Itot	Inverter Total Current [A]
Frequency Set	Frequency of the magnetic field [Hz]
Motor Speed	Setpoint: rotation speed [rpm]
Motor Direction	Motor direction if 1 means clockwise, if 0 means counter-clockwise
Absorbed Power	Motor absorbed power [watt]

Setup parameters

This tab allows to modify the operating parameters of the motor.

To view the contents of this tab you must enter the password 123456. The editable parameters are shown in the following table.



WARNING Changing the configuration parameters can compromise optimal functioning of the fan. We recommend, before making any changes to contact Munters customer service in order to avoid any issues.



WARNING the settings must be made with the motor supplied but stopped (rpm = 0).

Table 2

Parameter	Description
Modbus Address	Modbus Address Allow Value: [1;247] Default: 1
Enable 485	485 bus termination resistance enable Allow Value: [0; 1] 0 termination resistance disable 1 termination resistance enable Default: 0
Alarm Reset	Alarm reset Allow Value: 0
Enable under stop	Enable the rotation at minimum speed when the control voltage is lower than the minimum value. Allow value: [0; 1] The fan does not rotate if the driving voltage (0-10Vdc) is lower than the minimum voltage The fan rotates at the minimum speed if the driving voltage (0-10Vdc) is lower than the minimum voltage Default: 0
Acceleration	Motor acceleration [rpm/s] Allow value: [10; max Acc.] Default: Max Acc.
Deceleration	Motor deceleration [rpm/s] Allow value: [10; max Dec.] Default: Max Dec.

Parameter	Description
Boost/Reverse Configuration	<p>Enable the boost and/or reverse features</p> <p>Boost: when turned on, the fan will go quickly to maximum speed and then reach the rotation speed set by the controller. Should be used in fans with Butterfly.</p> <p>Reverse: when turned off, the fan decelerates until it stops, once stopped it will begin to rotate with the opposite direction of rotation to the standard one so to "attract" the butterfly and help to close the shutter. Can be used in fans with Butterfly.</p> <p>Allow value: [0; 3]</p> <p>0: Boost e Reverse disable</p> <p>1: Boost enable, Reverse disable</p> <p>2: Boost disable, Reverse enable</p> <p>3: Boost and Reverse both enable</p> <p>Default: 0</p> <p>NOTE with these parameters, once received the command to "Off", the fan will start to automatically rotate in opposite direction for a time predetermined.</p>
Reverse time	<p>Fan rotation time in the opposite direction after receive a stop command [s]</p> <p>Allow value: [0; 32767]</p> <p>Default: 25 second</p>
Reverse speed factor	<p>Fan rotation speed setpoint during the Reverse rotation; expressed as a percentage of the maximum rotation speed [%]</p> <p>Allow value: [1; 100]</p> <p>Default: 60</p>
Boost ramp time	<p>Acceleration time to reach the maximum speed during the boost phase [s]</p> <p>Allow value: [2; 32767]</p> <p>Default: 10</p>
Boost maintain time	<p>Fan rotation time after reaching the maximum speed during the boost phase [s]</p> <p>Allow value: [0; 32767]</p> <p>Default: 5</p>
Start delay	<p>Delay in turning on the fan from the moment it receives the command from the control unit [s/10]</p> <p>Allow value: [0; 100] it means from 0 up to 10 sec</p> <p>Default: 0</p>
Fallback speed	<p>Rotation speed in case of Modbus communication loss</p> <p>Activate only if "Enable Live Command (Reg.1009) = 1"</p> <p>If the Reg. Enable Live Command is = 0 and the modbus connection is lost, the fan will continue to turn at the last operating speed before the loss of communication [rpm]</p> <p>Allow value: 0, [rpm min; rpm_max]</p> <p>Default: 0</p>
Slope swap	<p>This Switch reverses the slope of the relationship between 0-10V voltage and rpm. Allows you to reverse operation from:</p> <p>Low voltage, low Speed and high voltage, high speed → Low voltage, high speed and high voltage, low speed</p>

App screens

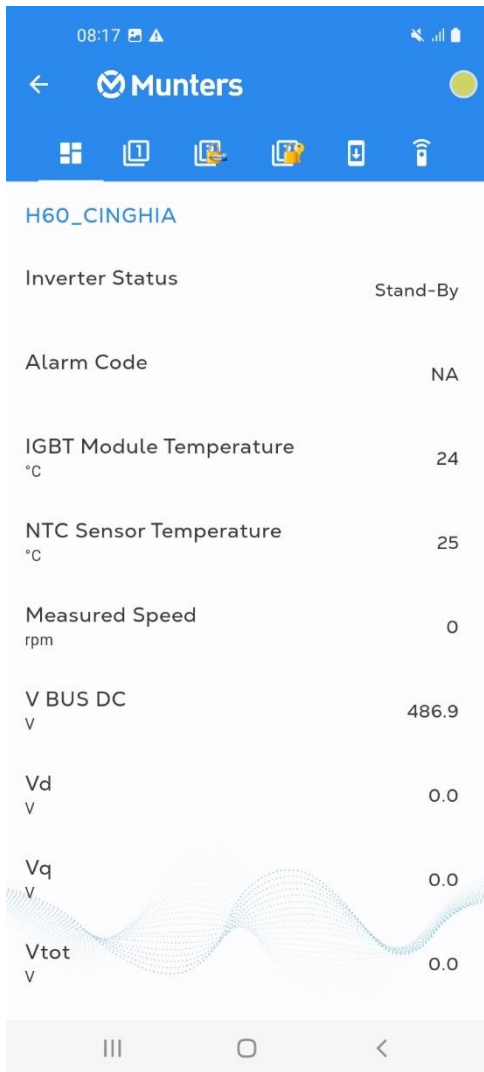


fig. 1 - Tab. 0 Dashboard Readings

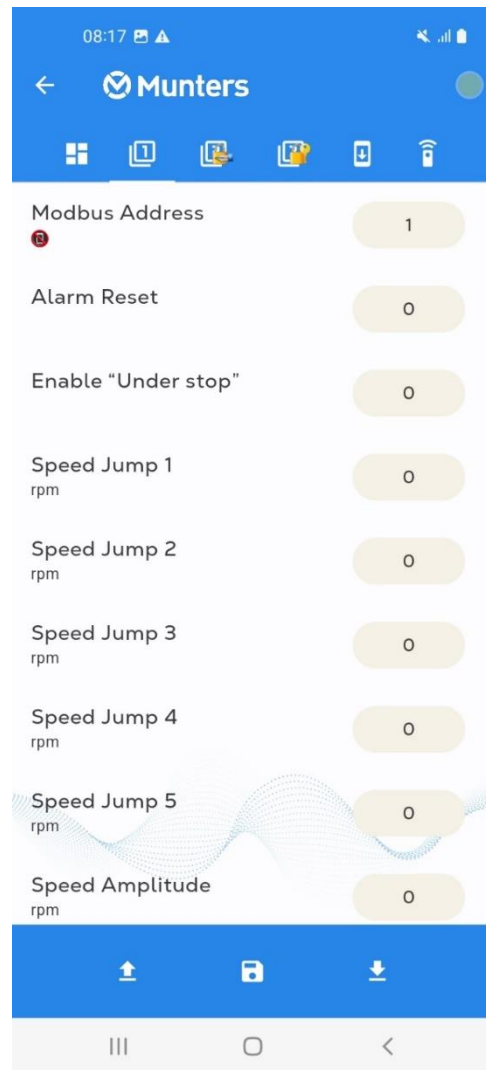


fig. 2 - Tab.1 Settings

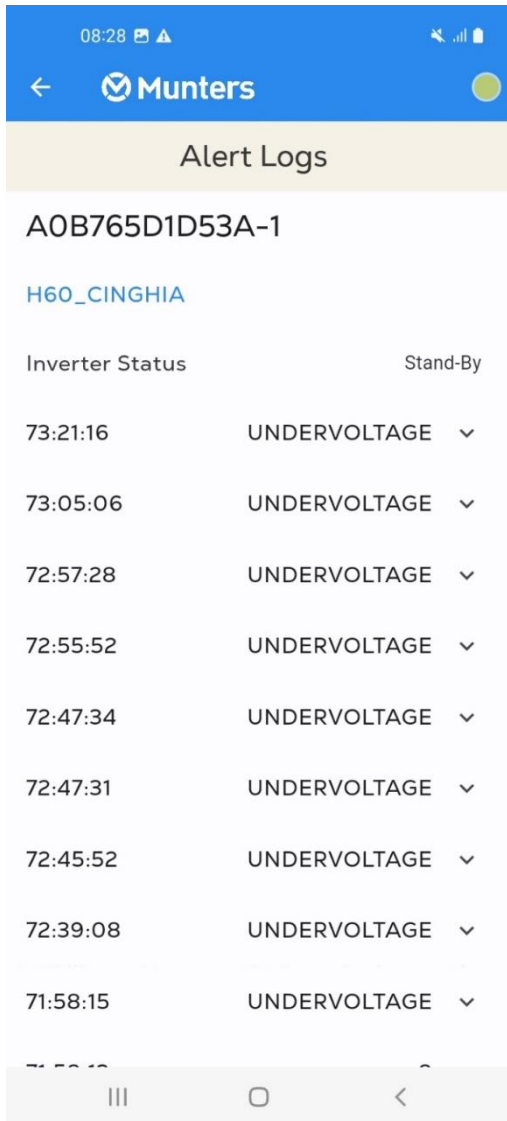


fig. 3 - Traffic Light: Alarm Log

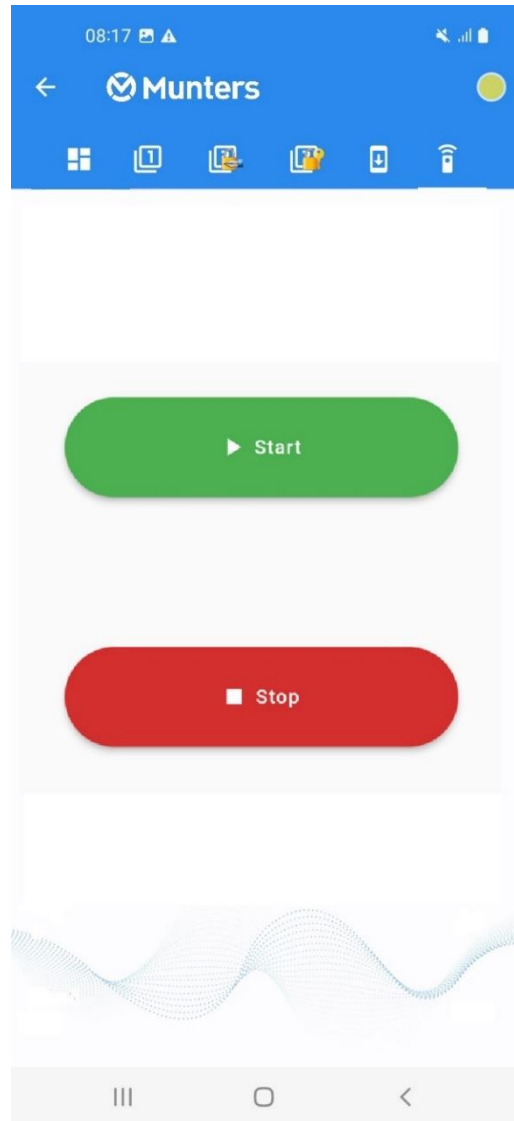


fig. 4 - Start / Stop Fan

Firmware update

Using this tab, after entering the password (123456), it is possible to update the firmware of both microcontrollers inside the inverter if new features or bug fixings are available.

Before to go ahead remember to save your current settings.

The update procedure consists of four different phases: the verification of the communication protocol to be used for communication with the inverter, the transfer of the firmware update file, the safety stop of the fan rotation and finally the writing of the new firmware in the flash memory of the inverter.

The conclusion of the various phases is denoted by a green tick. Select the update file (*.upd), press the start procedure button and wait for the outcome.

At the end of the update don't forgot to download your saved settings.

Terms of use



WARNING In order to reduce the average lifetime and/or possible problems with the electrical components, it is recommended not to keep the inverter unpowered for long periods, we recommend therefore keep it powered (it does not need to work, it's enough that the supply voltage is applied to the inverter: green led On) for at least 24 hours once/twice per year.



WARNING

The fan must not be used without first reading and understanding the user manual and becoming completely familiar with the controls.



WARNING

Make sure the fan is disconnected from the mains before removing the safety devices..

7.1 Control devices

This chapter gives instructions on the control devices with which the electrical control panel must be fitted, which shall be done at the installation stage.

At the fitting stage, the installer must set up a control panel complying with the requirements of standard IEC EN 60439-1 and arrange the wiring of the fan in accordance with the instructions in standards IEC EN 60204-1 and IEC 60364.

The electrical circuit of the fan must generally be fitted with the devices indicated in *section 5.4*.

7.2 Instructions for machine use

Switching on and starting up

Before starting the machine:

- check that all the guards for the hazardous areas are in their correct positions;
- check that all the electrical safety components are in place and check their effectiveness by activating them;
- check the presence of the electricity supply.

To start the fan, go through the following procedure:

- turn the isolator switch to position On;
- press the fan starter button.

Normal stopping

In the event of necessity the fan can be stopped by operating the relative control device (stop), which shall be installed on the electrical panel.

Activating this control must cause the fan blade to stop rotating, but does not cause isolation of the power supply: the fan can be started again by pressing the start button.

In the event that the fan does not need to be used for an extended period of time, the following stop procedure must be used:

- operate the stop button
- operate the emergency stop button;
- open the main isolator switch (position “0”) on the electrical panel and attach a padlock to the actuator.

**WARNING**

Interrupting the electricity supply, equivalent to isolating by the operator with the main switch, causes complete fan shutdown: restoring the electricity supply will not cause any movement in the machine.

Emergency stop

Operating the main emergency stop button causes the fan to stop moving.

The function is controlled by a red mushroom type button on a yellow background, provided with mechanical locking and release by turning. Operating it causes the instantaneous interruption of the power supply to the electric motor which makes the rotor turn (uncontrolled shutdown category 0 according to IEC EN 60204-1).

Resetting after stopping**1. Resetting after normal stopping**

After normal stopping the operating cycle must be reset by following the procedure described in *section 6.1*.

2. Resetting after emergency stop

After an emergency stop, the operating cycle must be reset by following the procedure described below:

- reset the actuator by which the emergency stop command was given (by turning the relative mushroom button);
- for an exact reset sequence, refer to the instructions given in *section 6.1*.

Technical data

8.

8.1 Dimensions

ED36HE - ED30HE - ED24HE

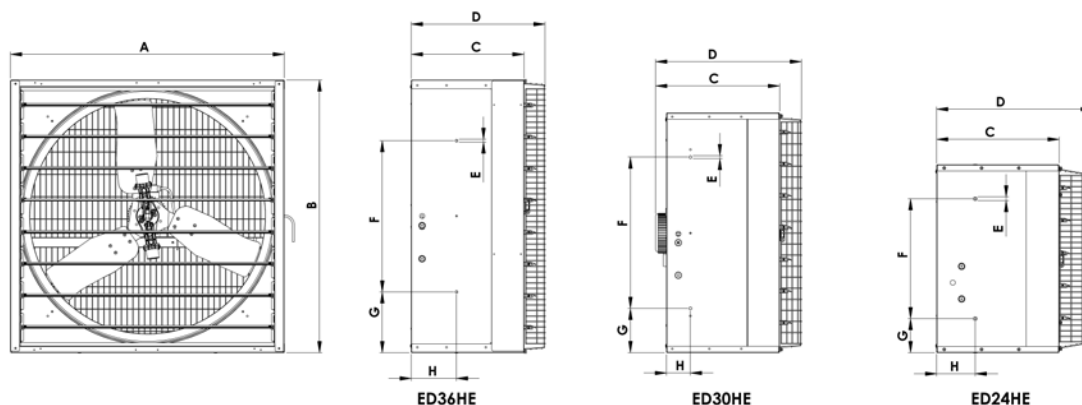


fig.20

Model	A	B	C	D	E	F	G	H	I
ED36HE	1,085	1,085	496	566	M8	600	242.5	222	-
ED30HE	950	950	485	570	M8	600	17.5	95	-
ED24HE	750	750	485	620	M8	475	137.5	150	-

EDS36HE - EDS30HE - EDS24HE - EDT30HE

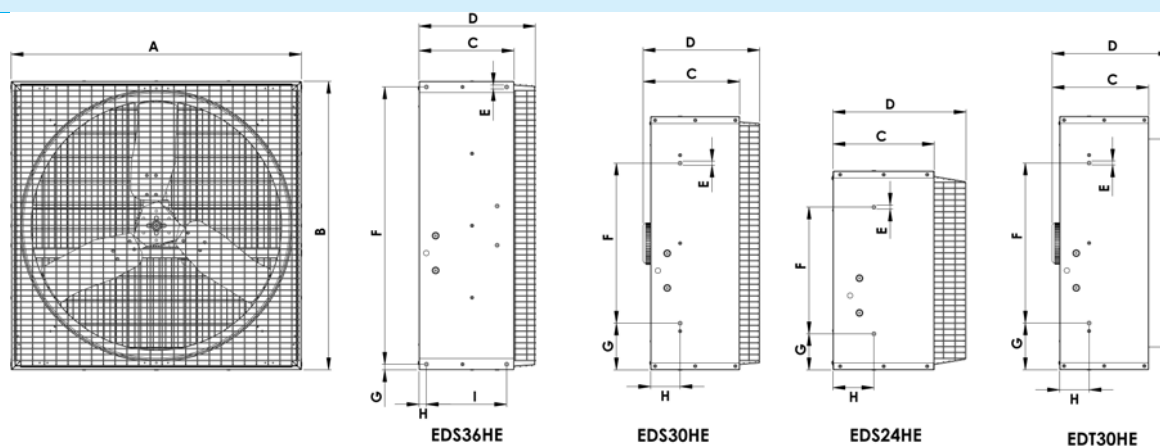


fig.21

Model	A	B	C	D	E	F	G	H	I
EDS36HE	1,085	1,085	393	478	M8	1,040	22.5	46.5	300
EDS30HE	950	950	355	440	M8	600	175	110	-
EDS24HE	750	750	380	515	M8	475	137.5	150	-
EDT30HE	950	950	355	435	M8	600	175	110	-

All measurements are in millimeters.

8.2 Technical specifications

Model		ED36HE E-Line 1.1hp	ED36HE 0.75hp	ED30HE 0.5hp	ED24HE 0.5hp
Number of propeller blades		3	3	3	3
Number of shutter blades		8	8	7	5
Propeller diameter	mm [inch]	915 [36]	915 [36]	770 [30]	610 [24]
Weight of fully equipped fan ¹	[kg]	70	70	60	49
Airflow at 0 Pa ²	m ³ /h [cfm]	18,350 [10,800]	19,100 [11,300]	14,000 [8,460]	9,100 [5,360]
Airflow at 12 Pa ²	m ³ /h [cfm]	16,460 [9,690]	18,200 [10,700]	13,700 [8,080]	8,800 [5,180]
Airflow at 25 Pa ²	m ³ /h [cfm]	14,510 [8,540]	17,200 [10,100]	12,900 [7,620]	8,400 [4,960]
Specific performance at 0 Pa ²	m ³ /h /W [cfm /W]	35.6 [21]	30.3 [17.8]	22.1 [13.0]	17.3 [10.2]
Max. operating temperature	°C [°F]	40 [104]	40 [104]	40 [104]	40 [104]
Max. operating pressure	Pa	50	50	50	50
IEC protective class of electric motor		IP66	IP55	IP55	IP55
Electric motor winding insulation grade		H	F	F	F
Model		EDS36HE0.75hp		EDS30HE/EDT30 HE 0.5hp	EDS24HE 0.5hp
Number of propeller blades		3		3	3
Propeller diameter	mm [inch]	915 [36]		770 [30]	610 [24]
Weight of fully equipped fan ¹	[kg]	60		44	33
Airflow at 0 Pa	m ³ /h [cfm]	19,100 [11,300]		14,400 [8,460]	9,100 [5,360]
Specific performance at 0 Pa	m ³ /h /W [cfm /W]	30.3 [17.8]		22.1 [13.0]	17.3 [10.2]
Max. operating temperature	°C [°F]	50 [122]		50 [122]	50 [122]
IEC protective class of electric motor		IP55		IP55	IP55
Electric motor winding insulation grade		F		F	F

¹ Excludes safety kit for installation below 2.7m above the floor.

² All declared values are measured and certified by Bess Lab (test #13332, #1337 and #13345). Airflow data are measured at standard conditions (20°C, 1,013 hPa).

8.3 Motor specifications

Code	Nominal Power [W] [Hp]		Phases	Speed	Frequency [Hz]	Voltage [V]	Current [A]	Rpm
ED36HE/EDS36HE								
a	550	0.75	1	single	50	200/230	4.7	880
b	550	0.75	1	multi	50	200/230	4.7	880
c	550	0.75	1	single	60	208/230	4.2	1.140
d	550	0.75	3	single	50	230/400	2.8/1.6	920
e	550	0.75	3	single	60	230/400	2.6/1.5	1.090
f	550	0.75	3	multi	50	230/400	3.8/2.2	890
ED36HE E-Line								
g	800	1.1	3	EC	50/60	400	1.9	930
ED30HE/EDS30HE/EDT30HE								
a	370	0.50	1	single	50	208/230	2.9	890
b	370	0.50	1	multi	50	208/230	2.9	890
c	550	0.75	1	single	60	208/230	4.2	1.140
d	370	0.50	3	single	50	230/400	2.0/1.2	940
e	370	0.50	3	single	60	230/400	1.8/1.0	1.120
f	370	0.50	3	multi	50	230/400	2.0/1.2	890
ED24HE/EDS24HE								
a	370	0.50	1	single	50	208/230	2.9	1.370
b	370	0.50	1	multi	50	208/230	2.9	1.370
c	370	0.50	3	single	50	230/400	2.3/1.3	1.400
d	370	0.50	3	multi	50	230/400	2.1/1.2	1.315

9.1 Introduction

Maintenance must only be carried out by qualified personnel only using suitable tools and working methods. Before any maintenance steps are taken, make sure the power switch is in the off position and locked by a padlock. Make sure the propeller is at a complete standstill.



WARNING

The capacitor in single-phase motors can retain a charge which appears across the motor terminals even when the motor has reached standstill.

Fans do not contain parts needing periodic lubrication, as moving parts are either manufactured from self lubricating materials, or are sealed with lifetime lubrication.

9.2 Cleaning

Inspect the fan at regular intervals and keep it clean. It is advised to perform periodic cleaning of safety mesh guards. Dust on the safety mesh guards causes extra power consumption; severe dust on the motor can cause overheating and subsequent motor failure.



WARNING

Keep motor body clean. Dust deposit on motor body will lead to overheating and failure of bearings and motor itself.

Do not use water for motor cleaning. Use compressed air only. Water spraying will cause rust inside the bearings and lead to their failure.



WARNING

Do not operate the fan with the safety protections removed: safety meshes can be removed only with specific tools by qualified technicians when the fan reaches a complete standstill.

The fixing systems of the safety protections are not interchangeable with other devices. Therefore, if for maintenance reasons the user damages or loses any component, this must be definitely ordered from the manufacturer as spare parts and it cannot just be replaced with other components, even similar, not supplied by the constructor itself. In this particular event the manufacturer refuses all responsibility on consequent damages caused to things and people and considers any kind of warranty lost.

9.3 Replacement of propeller

If propeller damaging occurs, it is necessary to substitute the whole propeller because of the difficulty to balance it, in the field.

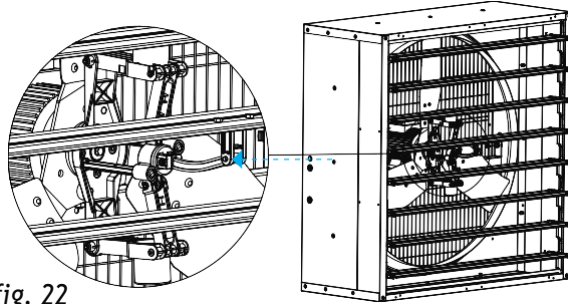


fig. 22

1. Open shutter by hand and take away the pin, which connects central shutter blade to centrifugal system.

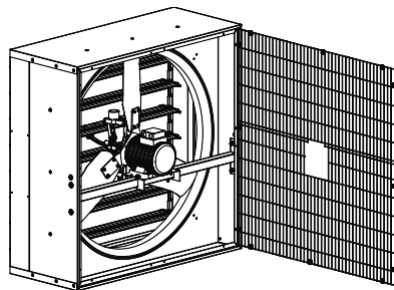


fig. 23

2. Open the safety mesh guard uncrewing self-tapping screws from top, bottom and one side only, as shown in the picture.

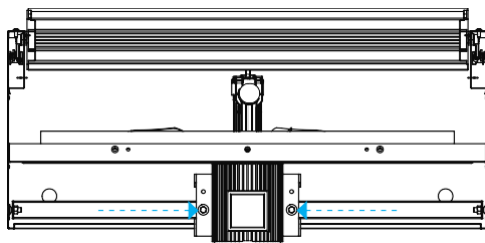


fig. 24

3. Remove the M8 hex screw used to fix the motor slide to the central support.

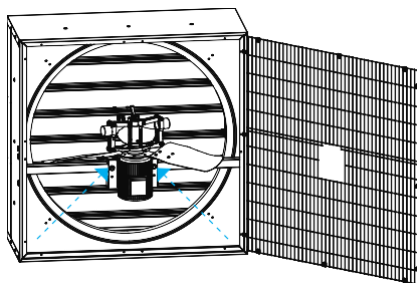


fig. 25

4. Turn the motor/propeller/centrifugal system assembly in horizontal position.
5. Fix it to the central support by using the M8 hex screw.



WARNING

The motor slide is not designed to hold the motor/propeller/centrifugal system assembly in horizontal position without using its M8 hex screws. Be sure that the motor/propeller/centrifugal system assembly is properly fixed to the central support in order to avoid damages to persons and property.

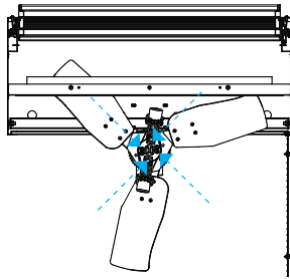


fig. 26

6. Remove the M8 screws used to fix the centrifugal system and the propeller to the central hub;
7. Dissassemble the propeller and the centrifugal system from the central hub.

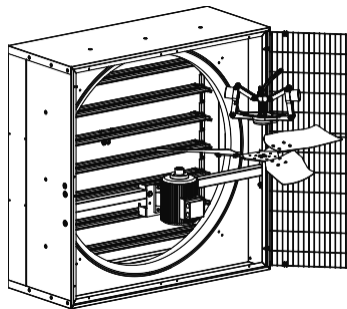


fig. 27

8. Take out the propeller and the centrifugal system from the fan frame.
9. Assemble the new propeller following the reverse procedure.

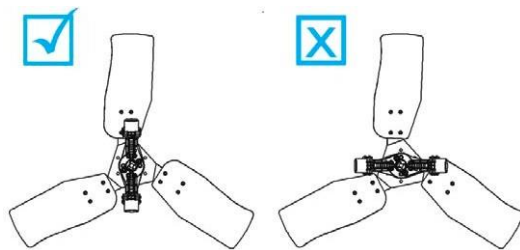


fig. 28

10. take care to assemble the centrifugal system as shown in the picture.

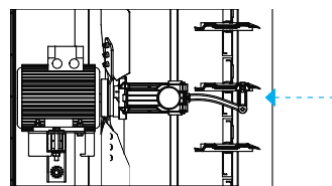


fig. 29 - ED24HE/ED30HE models

11. Take care of the way you connect the centrifugal system tie-rod to the plastic fork.

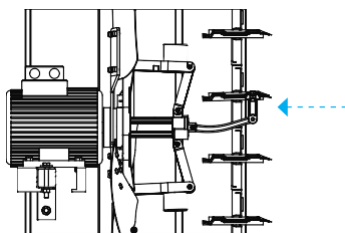


fig. 30 - ED36HE model

9.4 Replacement of shutter bearing assembly

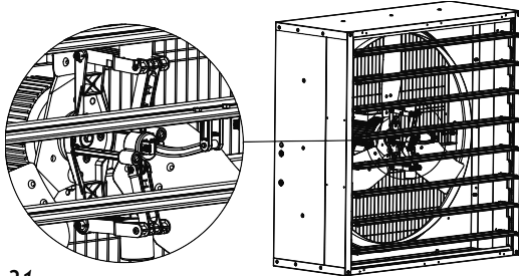


fig. 31

1. open shutter by hand and take away the pin, which connects central shutter blade to centrifugal system;

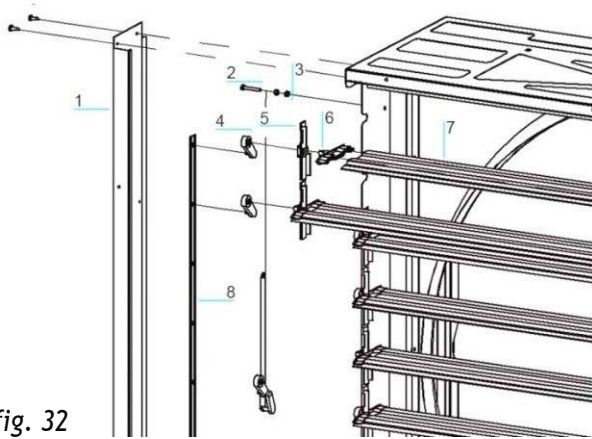


fig. 32

2. remove the side cover plates (see n. 1);
3. unthread two tie-rod with holes (see n.8) and unscrew M6 bolts (see n.2) and nuts (see n.3) which fix shutter closing spring;
4. pull off the shutter blades (see n.7) from their slot and unhook the damage shutter bearing assembly (see n.4,5,6);
5. insert the new shutter bearing assembly;
6. put back the shutter blades and fix the closing springs in their position;
7. fit the cover side plates back (see n.1).

9.5 Bearing Lubrication

Bearings are properly sized, with double sealed protection (2RS) and lubricated for life, therefore they do not require any additional lubrication.

9.6 Replacement of shutter opening device (centrifugal system)

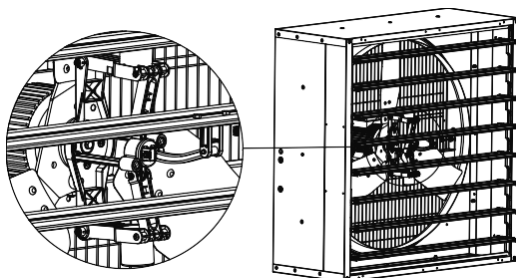
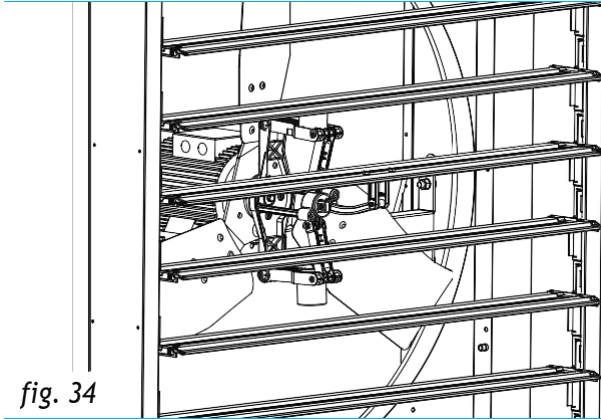


fig. 33

1. open shutter by hand and take away the pin, which connects central shutter blade to centrifugal system;



2. unscrew the two M8 hexagonal socket head cap screws and pull out the whole centrifugal system through the shutter blades.
3. do the reverse procedure to replace the shutter opening device and put back the pin, which connects central shutter blade to centrifugal system.
4. Take care of the way you connect the centrifugal system tie-rod to the plastic fork.



NOTE

There are a number of steps that can greatly reduce or eliminate the white rust formation on the tightly packed components of fans delivered unassembled:

- keep the components dry;
- unpack the components to permit air circulation between the surfaces;
- stack the components to allow water to drain out;
- keep the packed components in such way to prevent moisture contact with the Munters Protect coated surface.

Spare part list

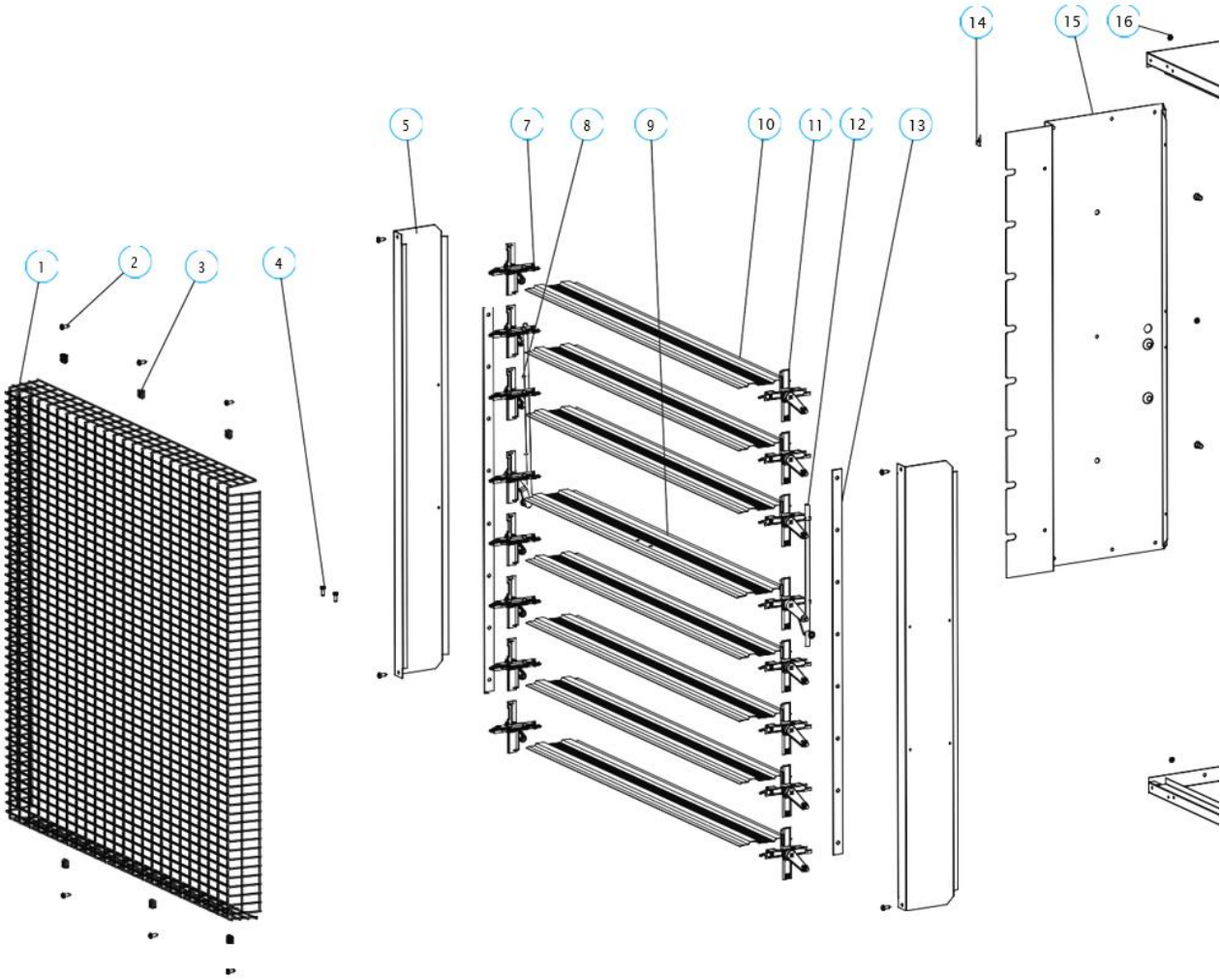
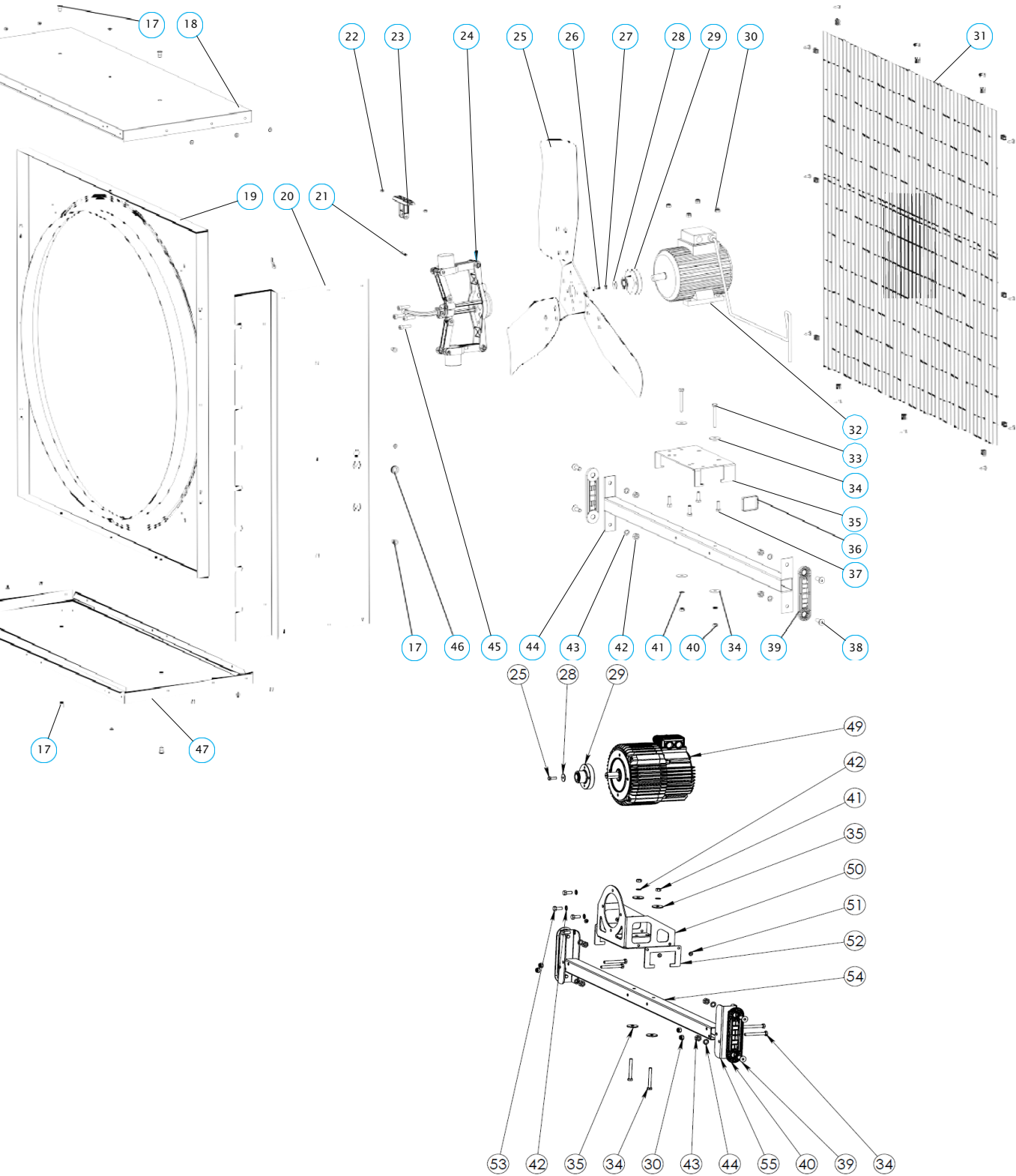


fig. 35

10.

ED36HE



REF.	DESCRIPTION	QUANTITY
1	PYRAMIDAL SAFETY MESH	1
2	Ø6,3×19 SELF-TAPPING SCREW	22
3	CLIP FOR SAFETY MESH GUARD	18
4	M06X16 HEX SCREW	2
5	CARTER	2
7	LEFT BEARING	7
8	LEFT CENTRAL SHUTTER BEARING	1
9	CENTRAL SHUTTER BLADE	1
10	SHUTTER BLADE	7
11	RIGHT BEARING	7
12	RIGHT CENTRAL SHUTTER BEARING	1
13	PLASTIC TIE ROD	2
14	HOOK FOR SPRING	2
15	LEFT SIDE PANEL	1
16	Ø6.4X8 POP UP RIVET	16
17	M08×17.5 THREADED BUSH	8
18	TOP PANEL	1
19	ORIFICE	1
20	RIGHT SIDE PANEL	1
21	KNURLED AXLE	1
22	M06 THIN HEX NUT	2
23	PLASTIC FORK	1
24	CENTRIFUGAL SYSTEM	1
25	3 BLADES PROPELLER	1
26	M06×20 HEX SCREW SELF LOCKING	1
27	Ø6 SPRING WASHER	1
28	Ø6×24 WASHER	1
29	MEC80 HUB	1
30	M08 SELF-LOCKING NUT	4
31	SAFETY MESH GUARD 22×89 W/HOLE	1
32	0.55KW/0.75HP 6 POLES MOTOR	1
33	M08X65 HEX SCREW	2
34	Ø8X32 WASHER	4
35	MOTOR PLATE	1
36	CLIP FOR MOTOR CABLE	1
37	M08×25 HEX SCREW	4
38	M10×30 SCREW	4
39	OVAL PLATE	2

40	M08 HEX NUT	2
41	Ø8 EXT THOOTHED WASHER	2
42	M10 HEX NUT	4
43	EXT TOOTHED WASHER D10,5X18	4
44	CENTRAL SUPPORT	1
45	M08x30 HEX SOCKET CAP SCREW	4
46	RUBBER FOR CABLE	1
47	BOTTOM PANEL	1
48	E-Line MOTOR 3-PHASES 400Vac 50/60Hz 0.8kW/1.1HP	1
49	FLANGE FOR E-Line MOTOR	1
50	Ø6.4X12 POP UP RIVET	4
51	SIDE PLATE FOR MOTOR FLANGE	2
52	CENTRAL SUPPORT E-LINE	1
53	M8x20 HEX SCREW SELF LOCKING	4
54	PLATE FOR CENTRAL SUPPORT	2

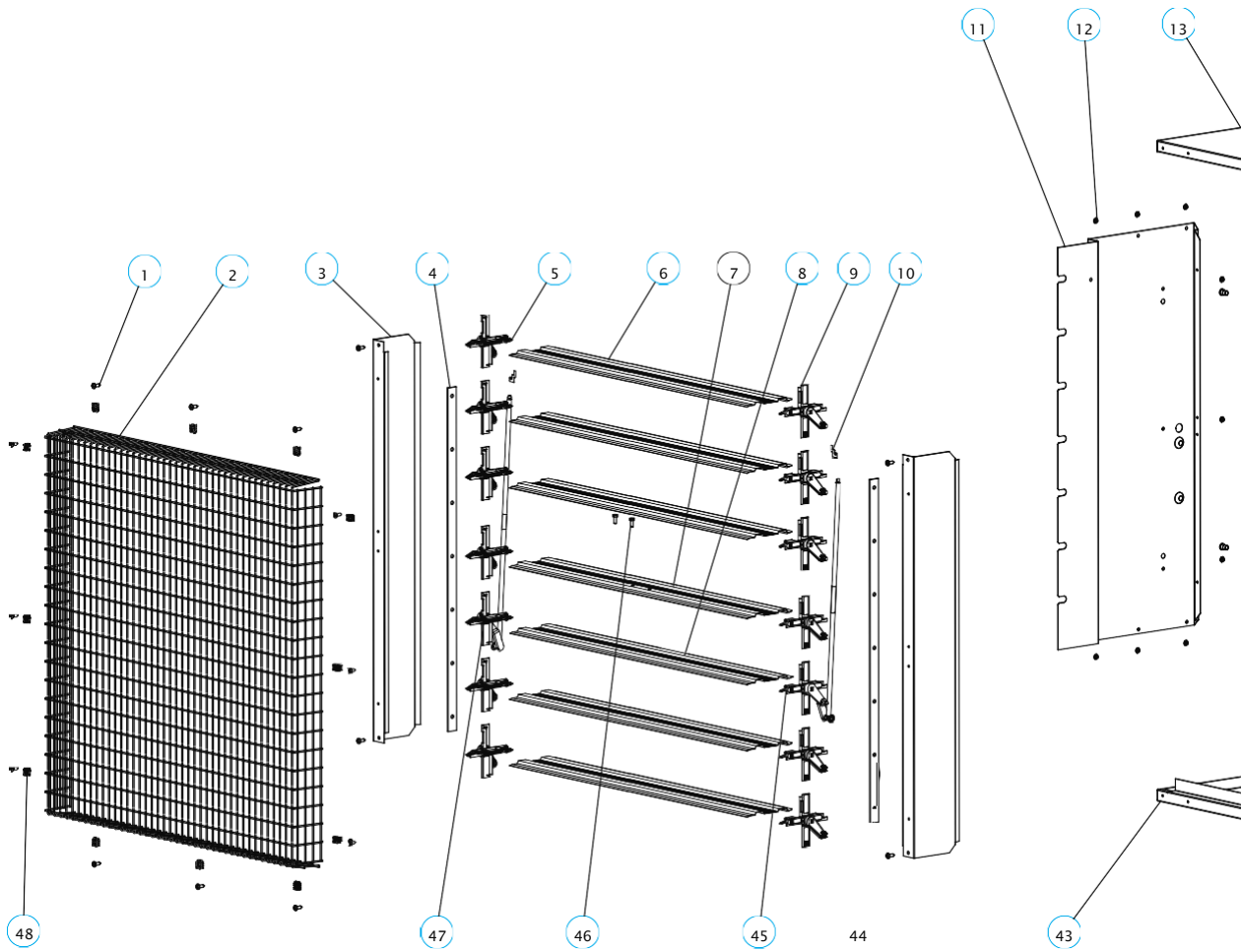
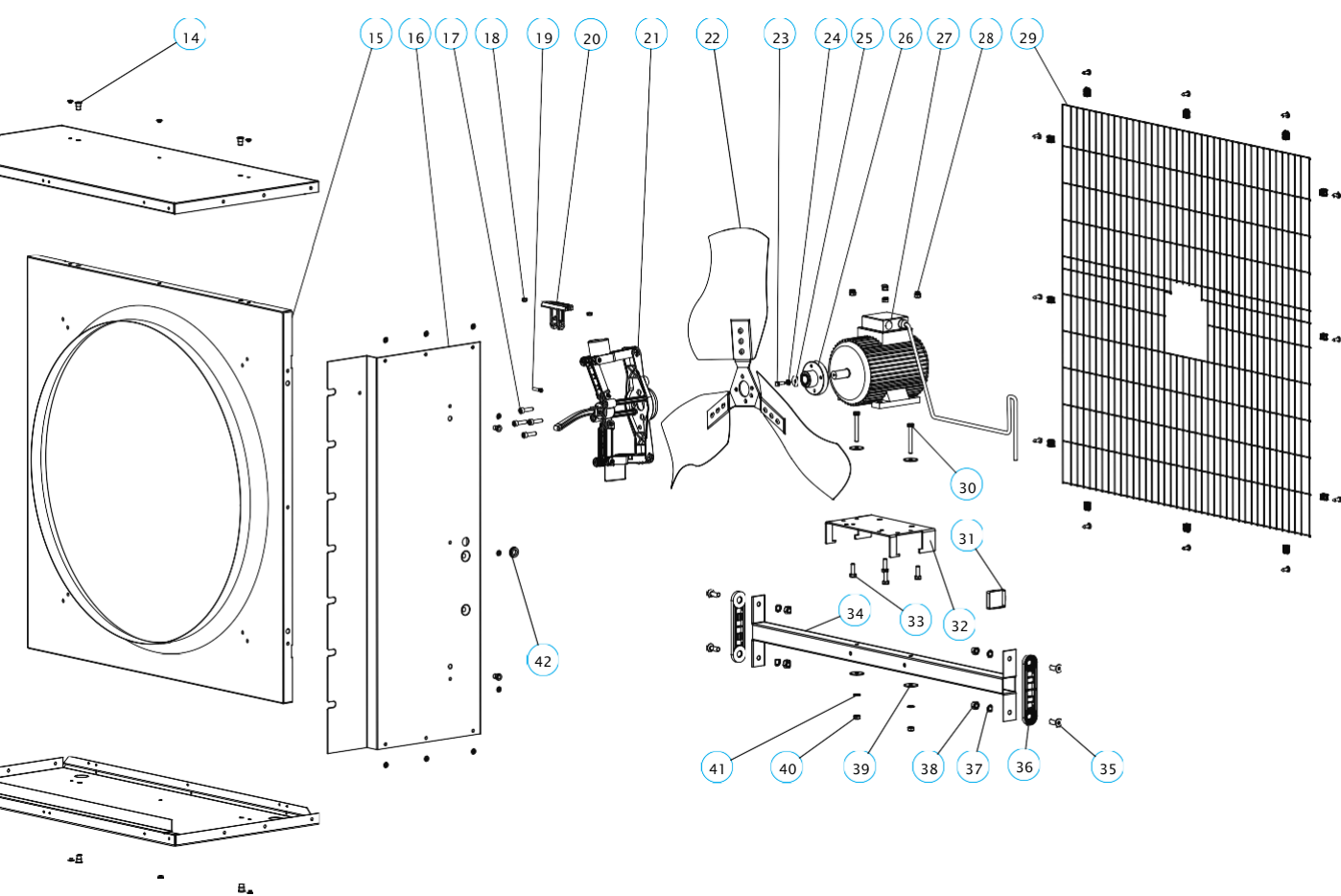


fig. 36



REF.	DESCRIPTION	QUANTITY
1	Ø6,3×19 SELF-TAPPING SCREW	28
2	FRONT SAFETY MESH	1
3	CARTER	2
4	PLASTIC TIE ROD	2
5	LEFT BEARING	6
6	THIN SHUTTER BLADE	5
7	CENTRAL SHUTTER BLADE	1
8	SHUTTER BLADE WITH CUT	1
9	RIGHT BEARING	6
10	HOOK FOR SPRING	2
11	LEFT SIDE PANEL	1
12	Ø6.4X8 POP UP RIVET	24
13	TOP PANEL	1
14	M08×17.5 THREADED BUSH	8
15	ORIFICE	1
16	RIGHT SIDE PANEL	1
17	M08×30 HEX SOCKET CAP SCREW	4
18	M06 THIN HEX NUT	2
19	KNURLED AXLE	1
20	PLASTIC FORK	1
21	CENTRIFUGAL SYSTEM	1
22	3 BLADES PROPELLER	1
23	M06×20 HEX SCREW	1
24	Ø6 SPRING WASHER	1
25	Ø6×24 WASHER	1
26	MEC80 HUB	1
27	0.37KW/0.5HP 6 POLES MOTOR	1
28	M08 SELF-LOCKING NUT	4
29	SAFETY MESH GUARD 22×89 W/HOLE	1
30	M08X65 HEX SCREW	2
31	CLIP FOR MOTOR CABLE	1
32	MOTOR PLATE	1
33	M08×25 HEX SCREW	4
34	CENTRAL SUPPORT	1
35	M10×30 SCREW	4
36	OVAL PLATE	2
37	EXT TOOTHED WASHER D10,5X18	4
38	M10 HEX NUT	4
39	Ø8X32 WASHER	4

40	M08 HEX NUT	2
41	Ø8 EXT THOATED WASHER	2
42	RUBBER FOR CABLE	1
43	BOTTOM PANEL	1
45	RIGHT CENTRAL SHUTTER BEARING	1
46	M06X16 HEX SCREW	2
47	LEFT CENTRAL SHUTTER BEARING	1
48	CLIP FOR SAFETY MESH GUARD	24

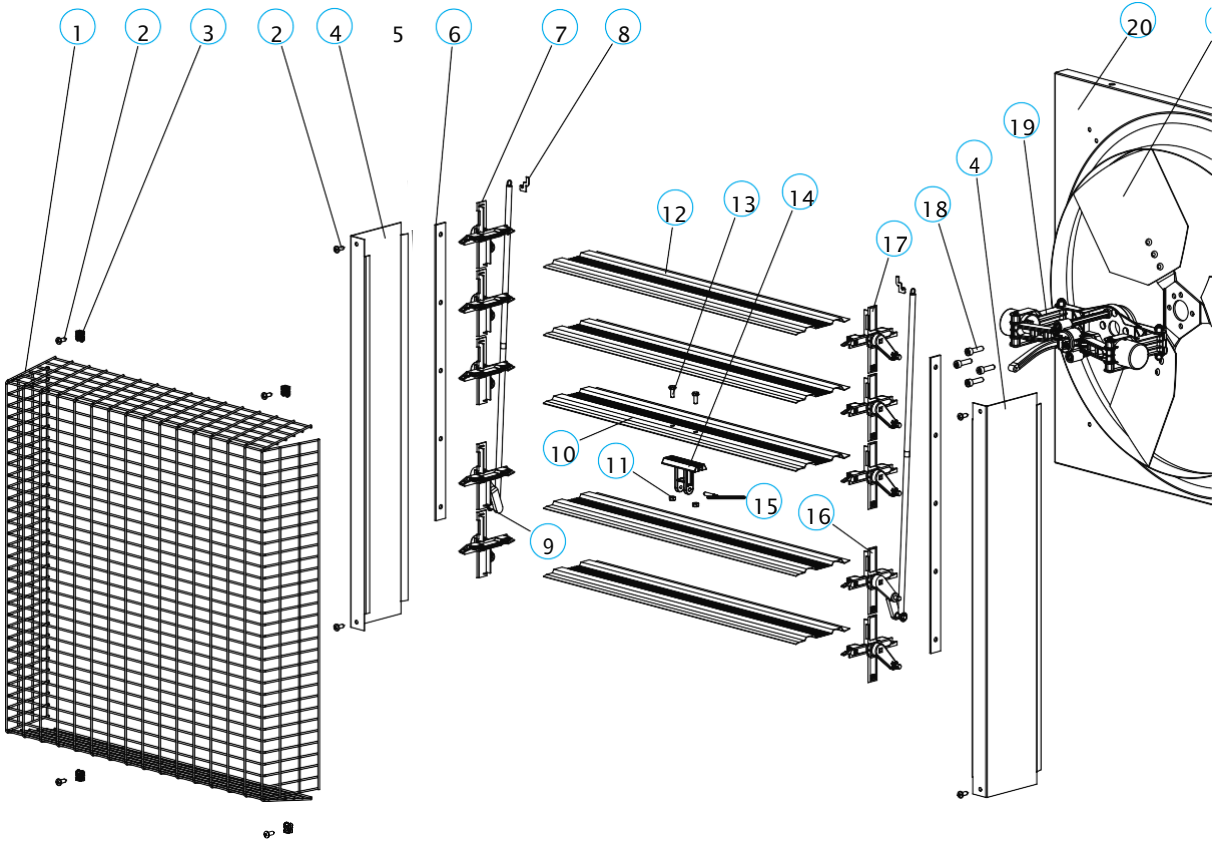
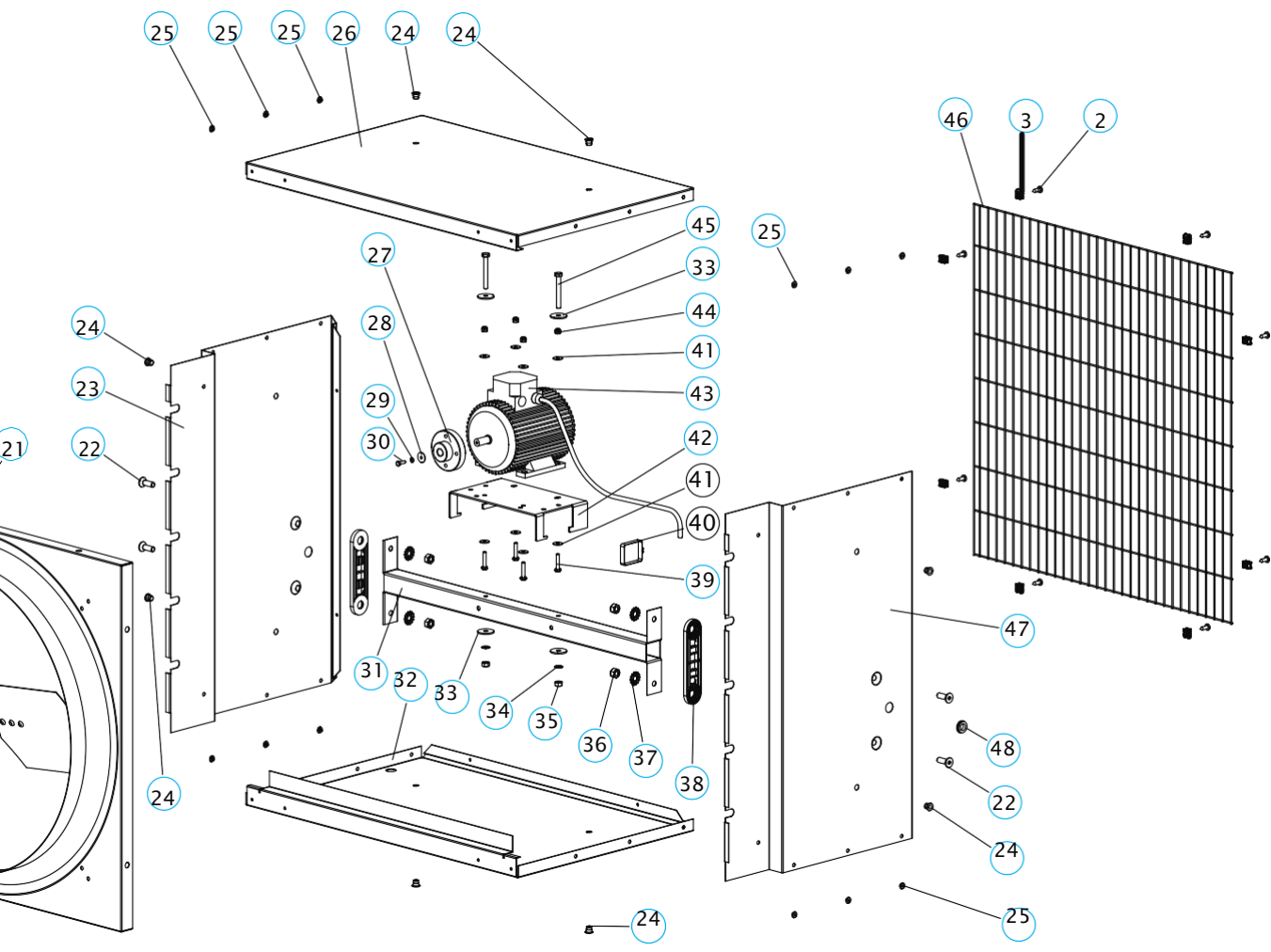


fig. 37



REF.	DESCRIPTION	QUANTITY
1	PYRAMIDAL SAFETY MESH	1
2	SELF TAPPING SCREW 6.3X19	16
3	CLIP FOR MESHES	12
4	CARTER	2
6	PVC TIE-ROD	2
7	LEFT SIDE SHUTTER BEARING ASSEMBLY	1
8	HOOK FOR SPRING	2
9	LEFT SIDE SHUTTER BEARING ASSEMBLY WITH SPRING	1
10	CENTRAL SHUTTER BLADE	1
11	HEXAGON NUT M6X5	4
12	SHUTTER BLADE	4
13	HEXAGON SCREW M6X16	2
14	CENTRAL SHUTTER BLADE FORK	1
15	KNURLED AXLE	1
16	RIGHT SIDE SHUTTER BEARING ASSEMBLY WITH SPRING	1
17	RIGHT SIDE SHUTTER BEARING ASSEMBLY	4
18	HEXAGON SOCKET CAP SCREW M8X30	4
19	COMPLETE CENTRIFUGAL SYSTEM	1
20	VENTURI	1
21	PROPELLER STAINLESS STEEL/GALVANIZED	1
22	HEXAGON SOCKET SCREW M10X30	4
23	LEFT SIDE PANEL	1
24	THREADED BUSH M8X17.5	8
25	POP RIVET 6.4X8	12
26	TOP PANEL	1
27	HUB	1
28	PLAIN WASHER Ø5X20	1
29	SPRING WASHER Ø5	1
30	HEXAGON SCREW M5X16	1
31	CENTRAL SUPPORT	1
32	BOTTOM PANEL	1
33	WASHER Ø8X32	4
34	TOOTHED WASHER Ø8	2
35	HEXAGON NUT M8	4
36	HEXAGON NUT M10	2
37	TOOTHED WASHER Ø10.5X18	4
38	OVAL PLATE	2
39	HEXAGON SCREW M6X30	4

SHUTTER BLADE

40	CLIP FOR MOTOR CABLE	1
41	WASHER Ø6X18	8
42	MOTOR PLATE	1
43	MOTOR	1
44	SELF-LOCKING NUT M6	4
45	HEXAGON SCREW M8X65	2
46	SAFETY MESH	1
47	RIGHT SIDE PANEL	1
48	RUBBER FOR CABLE	1

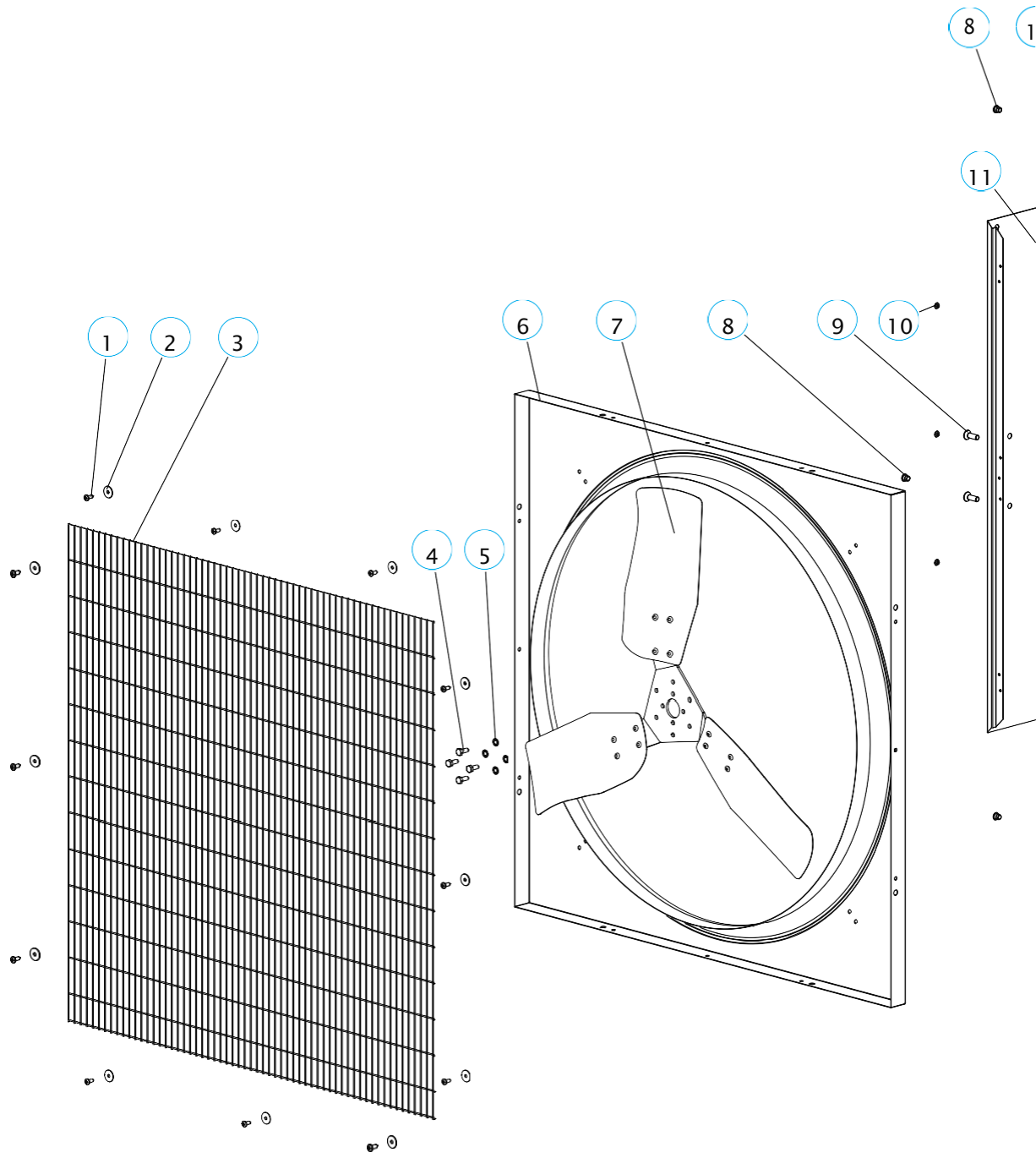
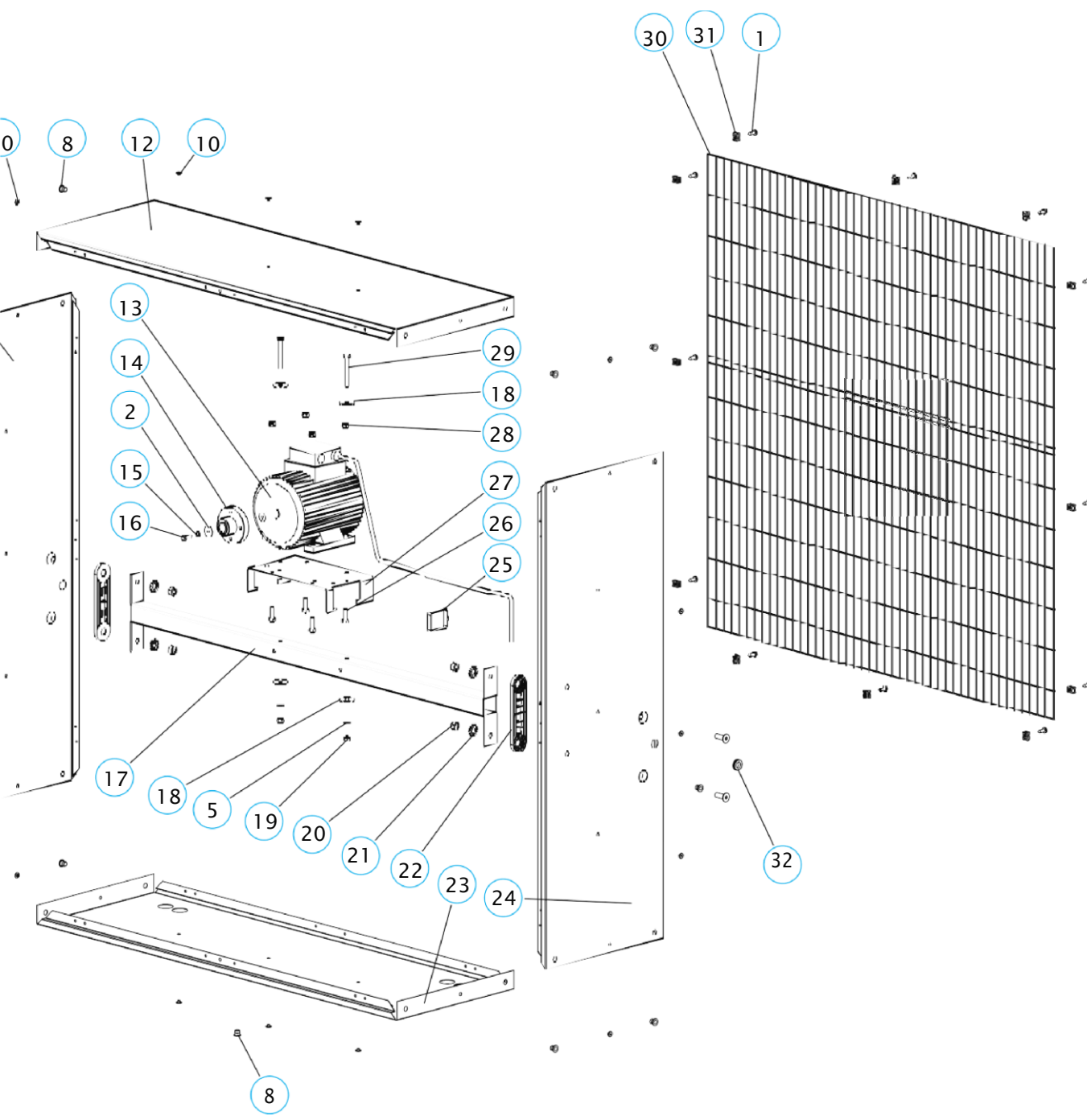


fig. 38



REF.	DESCRIPTION	QUANTITY
1	Ø6,3×19 SELF-TAPPING SCREW	24
2	Ø6×24 WASHER	13
3	SAFETY MESH GUARD 11×76	1
4	M08×20 HEX SCREW	4
5	Ø8 EXT THOATED WASHER	6
6	ORIFICE	1
7	3 BLADES PROPELLER	1
8	M08×17.5 THREADED BUSH	11
9	M10×30 SCREW	4
10	Ø6.4X8 POP UP RIVET	16
11	LEFT SIDE PANEL	1
12	TOP PANEL	1
13	0.55KW/0.75HP 6 POLES MOTOR	1
14	MEC80 HUB	1
15	Ø6 SPRING WASHER	1
16	M06×20 HEX SCREW	1
17	CENTRAL SUPPORT	1
18	Ø8X32 WASHER	4
19	M08 HEX NUT	2
20	M10 HEX NUT	4
21	Ø10.5 EXT THOATED WASHER	4
22	OVAL PLATE	2
23	BOTTOM PANEL	1
24	RIGHT SIDE PANEL	1
25	CLIP FOR MOTOR CABLE	1
26	M08×25 HEX SCREW	4
27	MOTOR PLATE	1
28	M08 SELF-LOCKING NUT	4
29	M08X65 HEX SCREW	2
30	SAFETY MESH GUARD 22×89 W/HOLE	1
31	CLIP FOR SAFETY MESH GUARD	12
32	RUBBER FOR CABLE	1

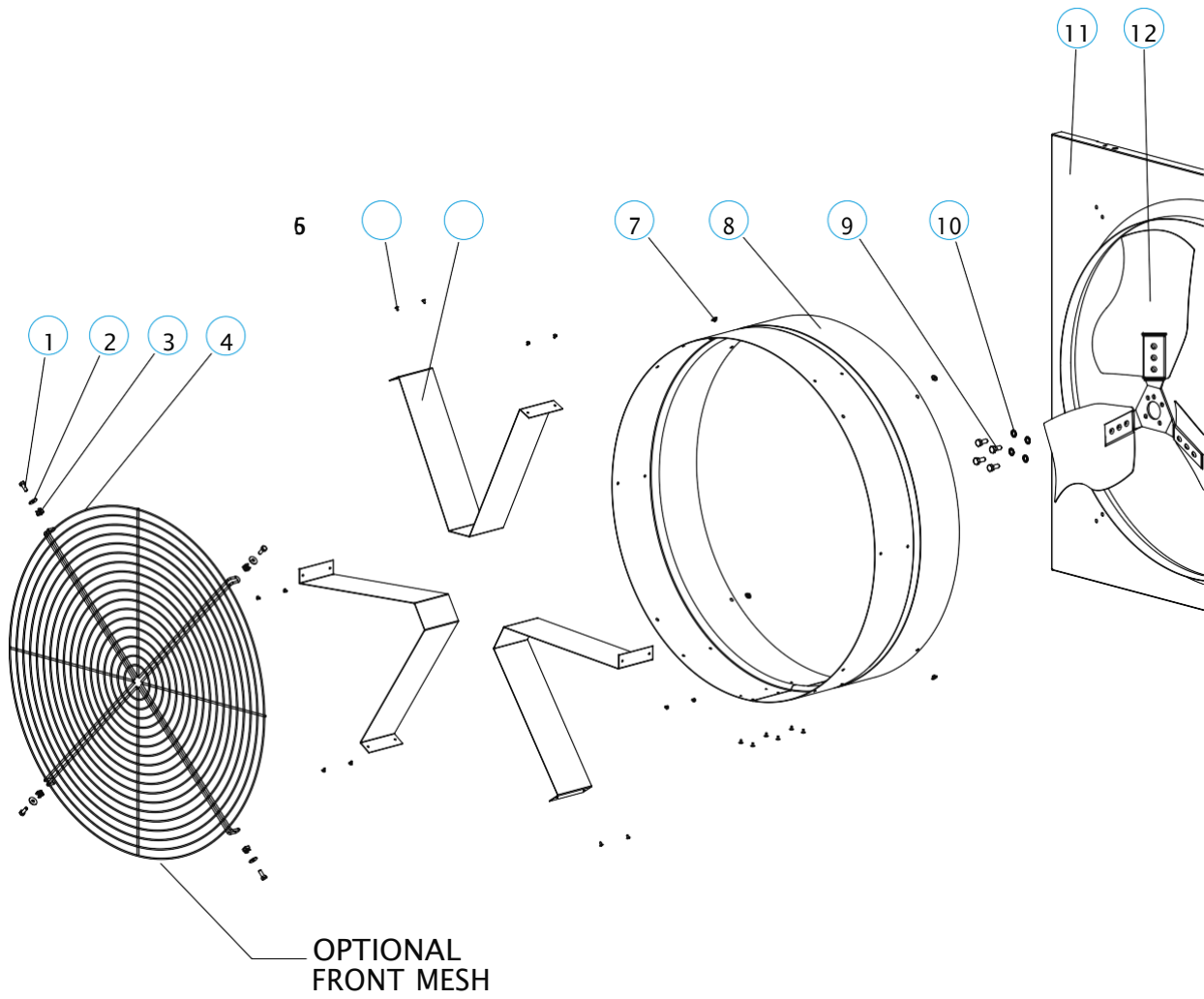
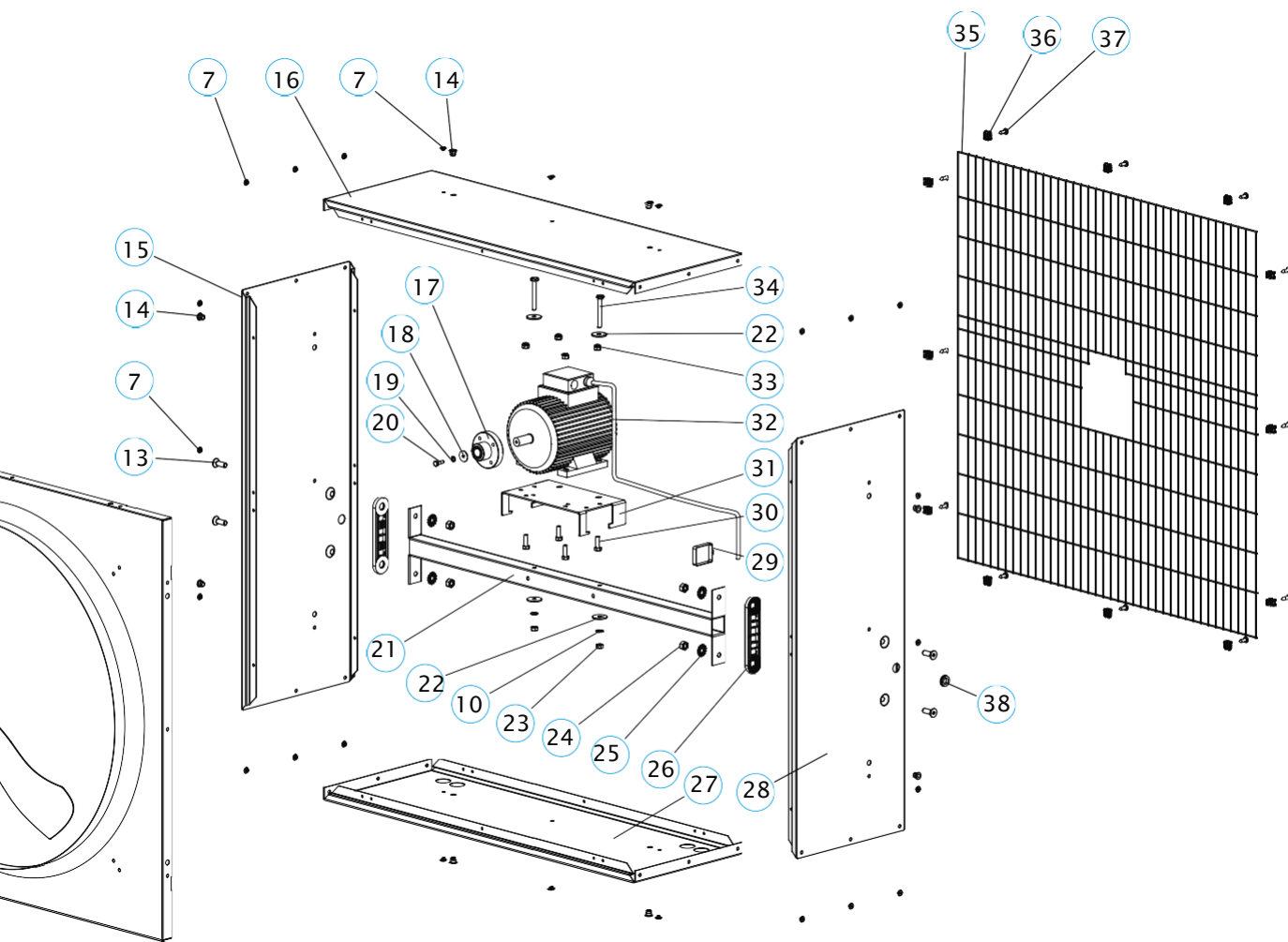


fig. 39



REF.	DESCRIPTION	QUANTITY
1	Ø6,3×19 SELF-TAPPING SCREW	24
2	Ø6×24 WASHER	13
3	SAFETY MESH GUARD 10×76	1
4	M08×20 HEX SCREW	4
5	Ø8 EXT THOATED WASHER	6
6	ORIFICE	1
7	3 BLADES PROPELLER	1
8	M10×30 SCREW	4
9	Ø6.4X8 POP UP RIVET	24
10	M08×17.5 THREADED BUSH	8
11	LEFT SIDE PANEL	1
12	TOP PANEL	1
13	MEC80 HUB	1
14	Ø6 SPRING WASHER	1
15	M06×20 HEX SCREW	1
16	CENTRAL SUPPORT	1
17	Ø8X32 WASHER	4
18	M08 HEX NUT	2
19	M10 HEX NUT	4
20	Ø10.5 EXT THOATED WASHER	4
21	OVAL PLATE	2
22	BOTTOM PANEL	1
23	RIGHT SIDE PANEL	1
24	CLIP FOR MOTOR CABLE	1
25	M08×25 HEX SCREW	4
26	MOTOR PLATE	1
27	0.37KW/0.5HP 6 POLES MOTOR	1
28	M08 SELF-LOCKING NUT	4
29	M08X65 HEX SCREW	2
30	SAFETY MESH GUARD 22×89 W/HOLE	1
31	CLIP FOR SAFETY MESH GUARD	12
32	RUBBER FOR CABLE	1

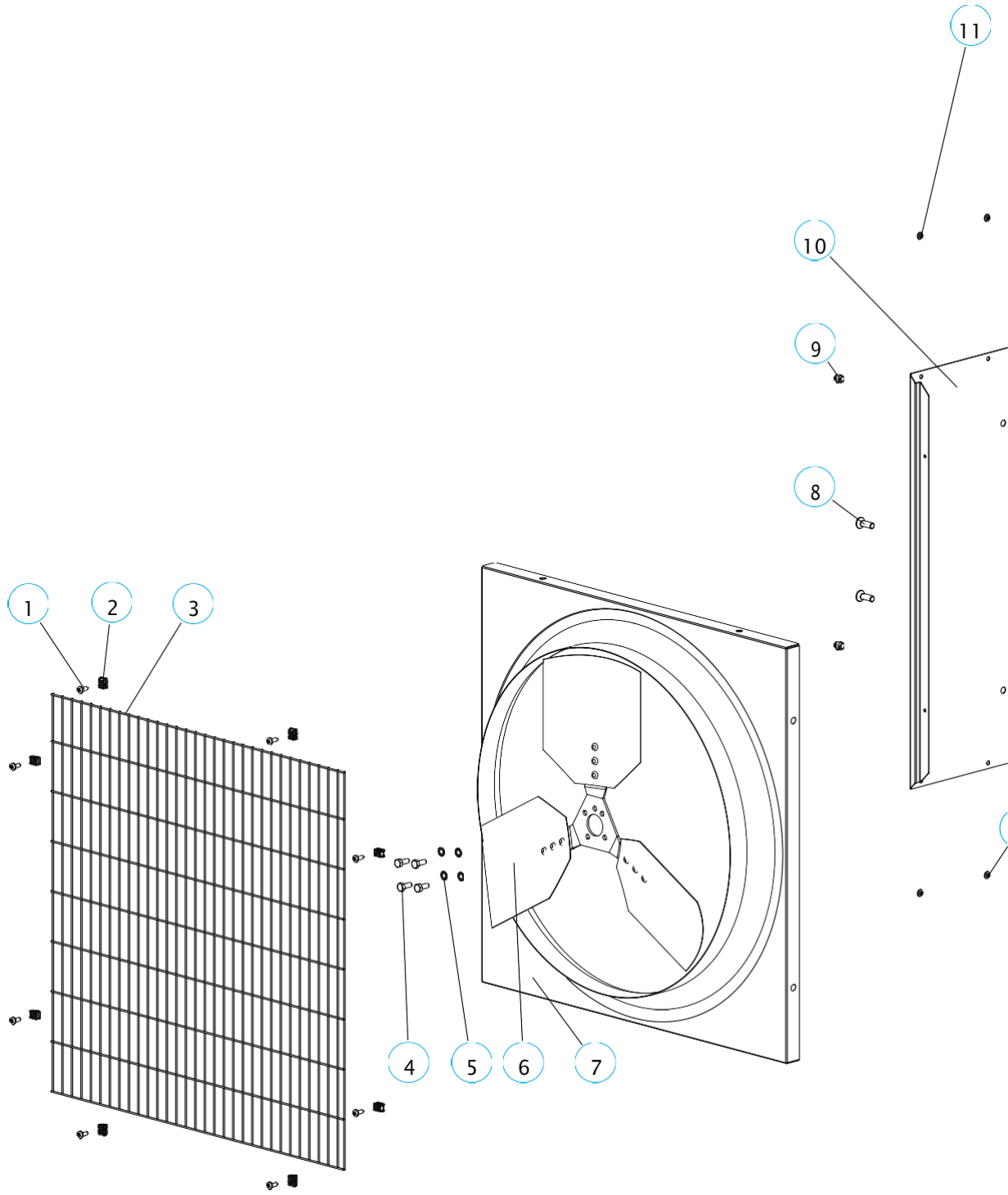
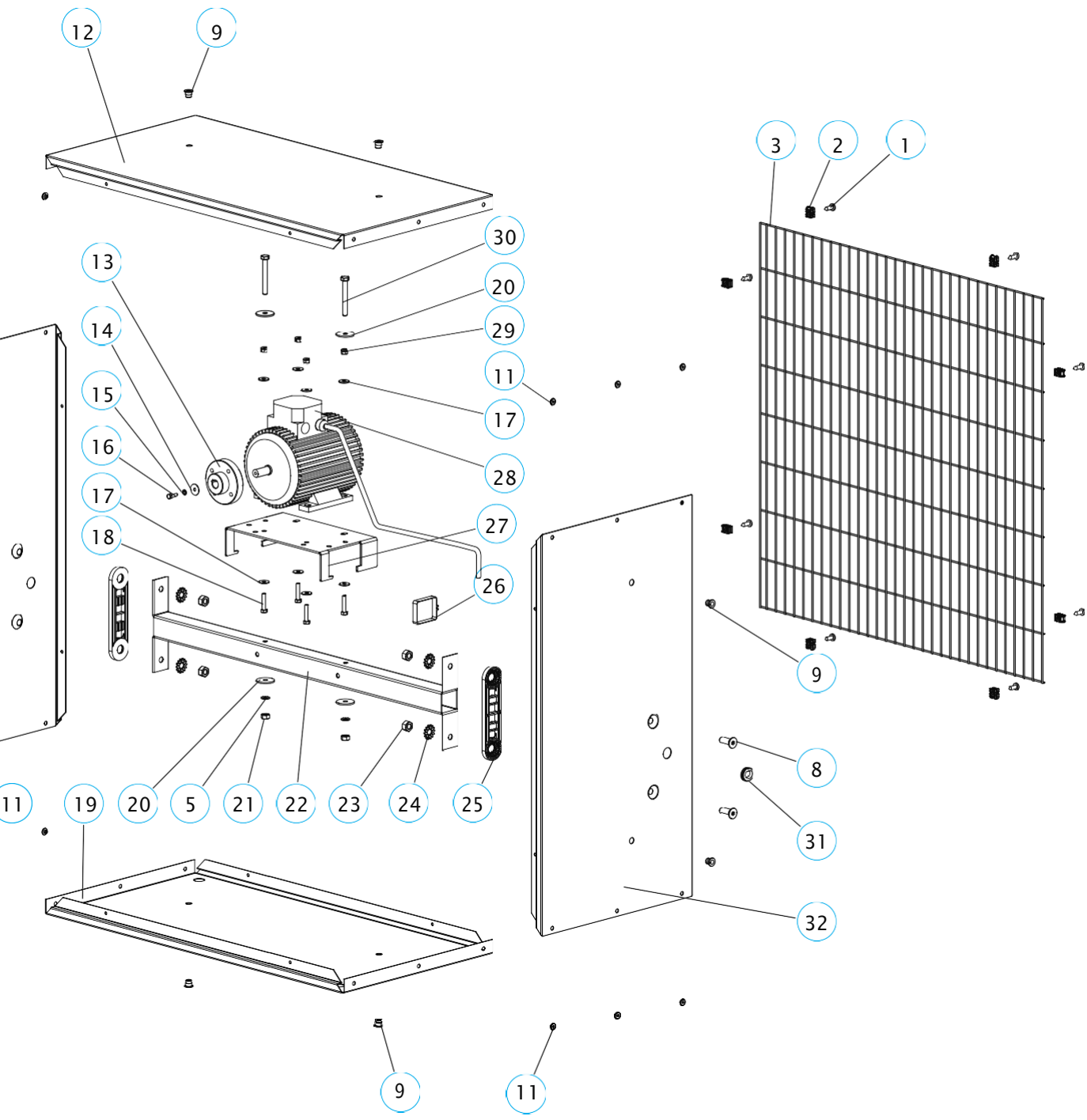


fig. 40



REF.	DESCRIPTION	QUANTITY
1	Ø6,3×19 SELF-TAPPING SCREW	16
2	CLIP FOR SAFETY MESH GUARD	16
3	SAFETY MESH GUARD	2
4	M08×20 HEX SCREW	4
5	Ø8 EXT THOATED WASHER	6
6	3 BLADES PROPELLER	1
7	ORIFICE	1
8	M10×30 SCREW	4
9	M08×17.5 THREADED BUSH	8
10	LEFT SIDE PANEL	1
11	Ø6.4X8 POP UP RIVET	12
12	TOP PANEL	1
13	MEC71 HUB	1
14	Ø5×20 WASHER	1
15	Ø5 SPRING WASHER	1
16	M05×16 HEX SCREW	1
17	Ø6×18 WASHER	8
18	M06×30 HEX SCREW	4
19	BOTTOM PANEL	1
20	Ø8X32 WASHER	4
21	M08 HEX NUT	2
22	CENTRAL SUPPORT	1
23	M10 HEX NUT	4
24	Ø10.5 EXT THOATED WASHER	4
25	OVAL PLATE	2
26	CLIP FOR MOTOR CABLE	1
27	MOTOR PLATE	1
28	0.37KW/0.5HP 4 POLES MOTOR	1
29	M06 SELF-LOCKING NUT	4
30	M08×65 HEX SCREW	2
31	RUBBER FOR CABLE	1
32	RIGHT SIDE PANEL	1

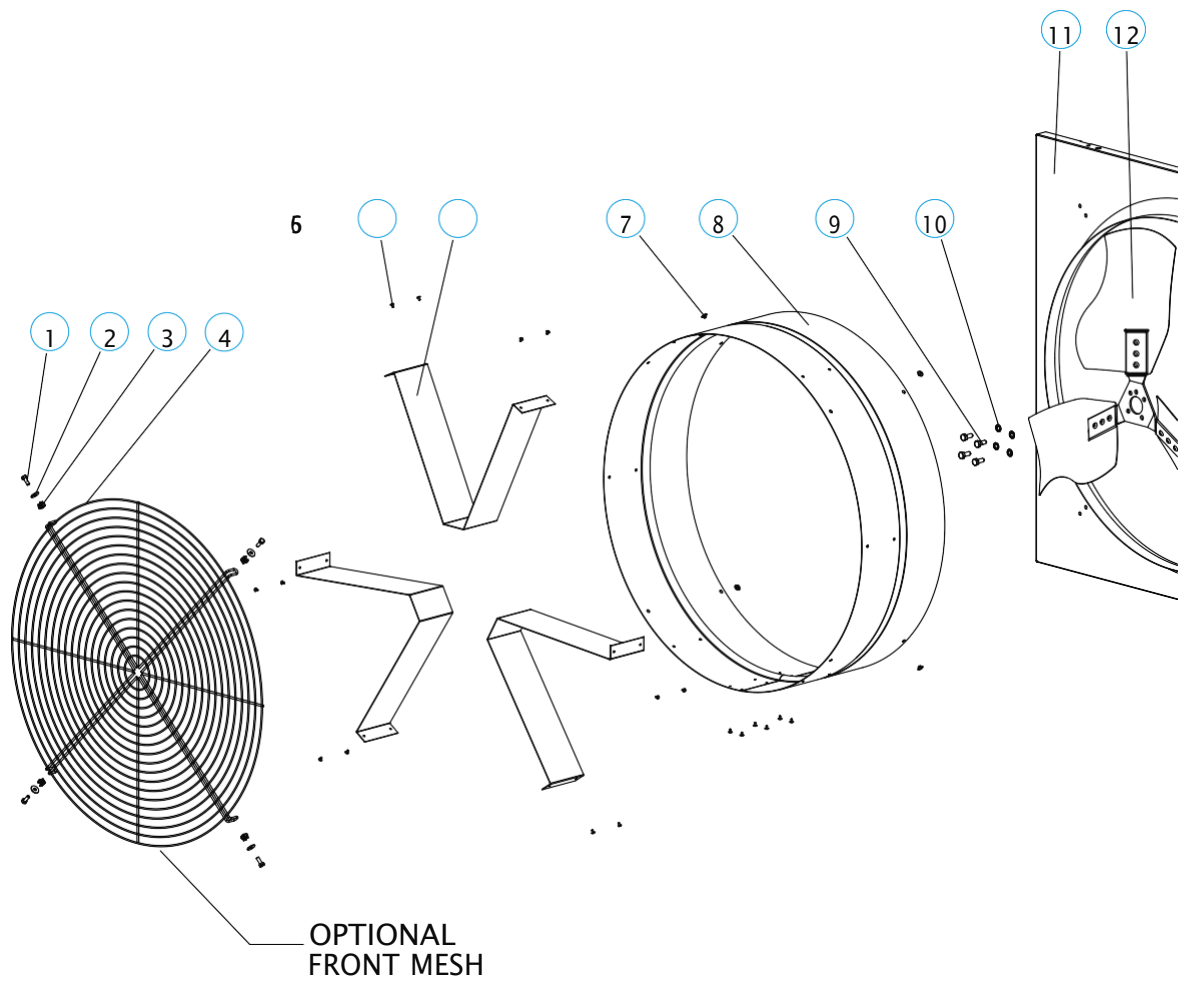
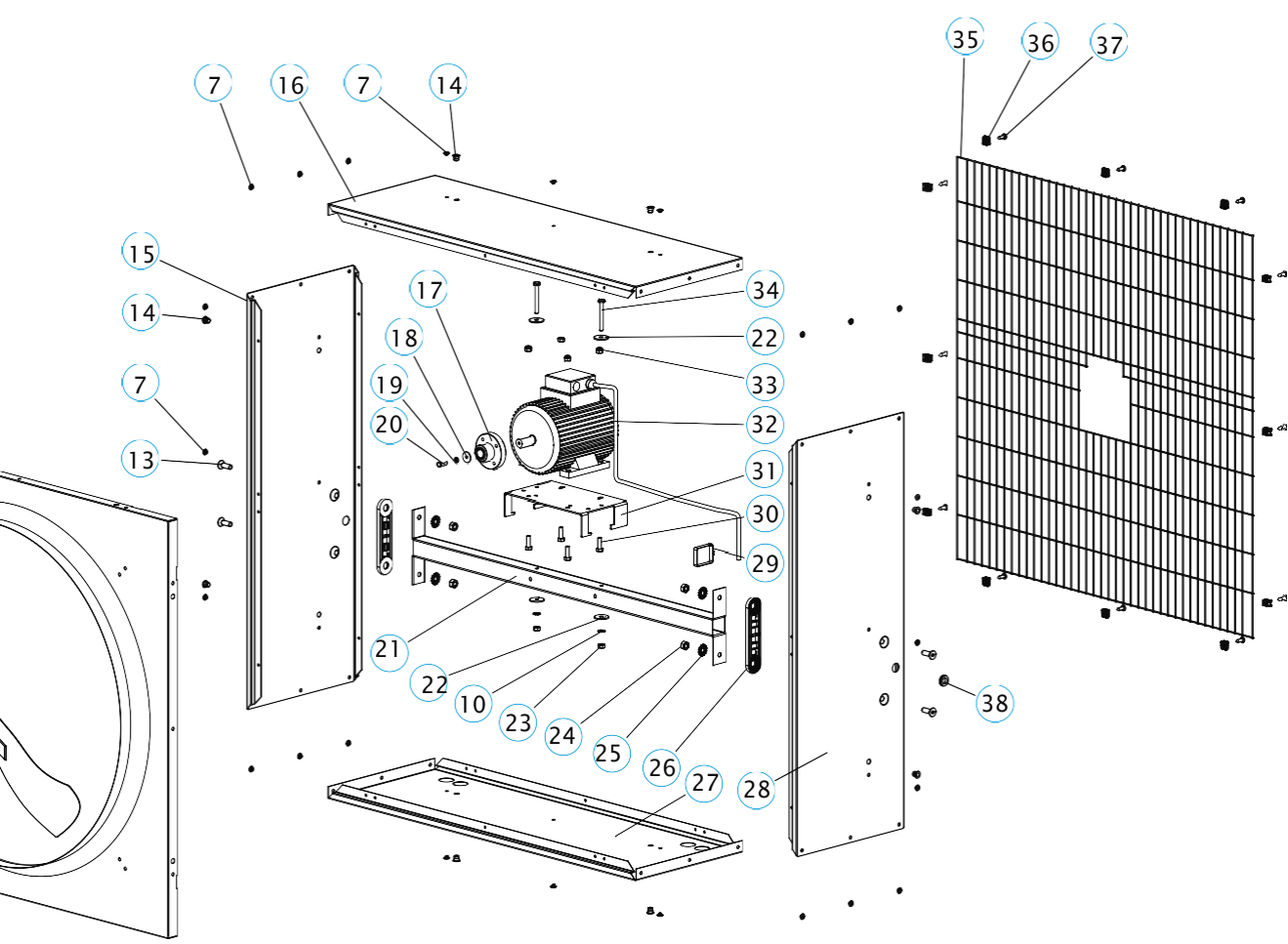


fig. 41



REF.	DESCRIPTION	QUANTITY
1	M06X16 HEX SCREW	4
2	Ø6×18 WASHER	4
3	M06 CAGE NUT	4
4	CIRCULAR SAFETY MESH	1
5	Ø3.9X7 POP UP RIVET	18
6	FLOW STRAIGHTENER STRIP	3
7	Ø6.4X8 POP UP RIVET	28
8	FLOW STRAIGHTENER FRAME	1
9	M08×20 HEX SCREW	4
10	Ø8 EXT THOATED WASHER	6
11	ORIFICE	1
12	3 BLADES PROPELLER	1
13	M10×30 SCREW	4
14	M08×17.5 THREADED BUSH	8
15	LEFT SIDE PANEL	1
16	TOP PANEL	1
17	MEC80 HUB	1
18	Ø6×24 WASHER	1
19	Ø6 SPRING WASHER	1
20	M06×20 HEX SCREW	1
21	CENTRAL SUPPORT	1
22	Ø8X32 WASHER	4
23	M08 HEX NUT	2
24	M10 HEX NUT	4
25	Ø10.5 EXT THOATED WASHER	4
26	OVAL PLATE	2
27	BOTTOM PANEL	1
28	RIGHT SIDE PANEL	1
29	CLIP FOR MOTOR CABLE	1
30	M08×25 HEX SCREW	4
31	MOTOR PLATE	1
32	0.37KW/0.5HP 6 POLES MOTOR	1
33	M08 SELF-LOCKING NUT	4
34	M08X65 HEX SCREW	2
35	SAFETY MESH GUARD 22×89 W/HOLE	1
36	CLIP FOR SAFETY MESH GUARD	12
37	Ø6,3×19 SELF-TAPPING SCREW	12
38	RUBBER FOR CABLE	1

Warranty and technical assistance

Munters products are designed and built to provide reliable and satisfactory performance but cannot be guaranteed free of faults; although they are reliable products they can develop unforeseeable defects and the user must take this into account and arrange adequate emergency or alarm systems if failure to operate could cause damage to the articles for which the Munters plant was required: if this is not done, the user is fully responsible for the damage which they could suffer.

Munters extends this limited warranty to the first purchaser and guarantees its products to be free from defects originating in manufacture or materials for 1 year from the date of delivery, provided that suitable transport, storage, installation and maintenance terms are complied with. The warranty does not apply if the products have been repaired without express authorisation from Munters, or repaired in such a way that, in Munters' judgement, their performance and reliability have been impaired, or incorrectly installed, or subjected to improper use. The user accepts total responsibility for incorrect use of the products.

The warranty on products from outside suppliers fitted to EDHE/EDSHE/EDTHE, (for example electric motors, etc.) is limited to the conditions stated by the supplier: all claims must be made in writing within eight days of the discovery of the defect and within 12 months of the delivery of the defective product. Munters has thirty days from the date of receipt in which to take action, and has the right to examine the product at the customer's premises or at its own plant (carriage cost to be borne by the customer).

Munters at its sole discretion has the option of replacing or repairing, free of charge, products which it considers defective, and will arrange for their despatch back to the customer carriage paid. In the case of faulty parts of small commercial value which are widely available (such as bolts, etc.) for urgent despatch, where the cost of carriage would exceed the value of the parts, Munters may authorise the customer exclusively to purchase the replacement parts locally; Munters will reimburse the value of the product at its cost price.

Munters will not be liable for costs incurred in demounting the defective part, or the time required to travel to site and the associated travel costs. No agent, employee or dealer is authorised to give any further guarantees or to accept any other liability on Munters' behalf in connection with other Munters products, except in writing with the signature of one of the Company's Managers.



WARNING

In the interests of improving the quality of its products and services, Munters reserves the right at any time and without prior notice to alter the specifications in this manual.

The liability of the manufacturer Munters ceases in the event of:

- dismantling the safety devices;
- use of unauthorised materials;
- inadequate maintenance;
- use of non-original spare parts and accessories.

Barring specific contractual terms, the following are directly at the user's expense:

- preparing installation sites;
- providing an electricity supply (including the protective equipotential bonding (PE) conductor, in accordance with CEI EN 60204-1, paragraph 8.2), for correctly connecting the equipment to the mains electricity supply;
- providing ancillary services appropriate to the requirements of the plant on the basis of the information supplied with regard to installation;
- tools and consumables required for fitting and installation;
- lubricants necessary for commissioning and maintenance.

It is mandatory to purchase and use only original spare parts or those recommended by the manufacturer. Dismantling and assembly must be performed by qualified technicians and according to the manufacturer's instructions.

The use of non-original spare parts or incorrect assembly exonerates the manufacturer from all liability.

Requests for technical assistance and spare parts must be made directly to the manufacturer, at the following address:

[Munters Italy S.p.A](#)

Strada Piani, 2

18027 Chiusavecchia (IM), Italy

Tel: +39 0183 52 11

Fax: +39 0183 521 333

Munters EDHE extraction fans are developed and produced by Munters Italy S.p.A., Italy



www.munters.com

[Australia](#) Phone +61 2 8843 1594, agh.info@munters.com.au, [Brazil](#) Phone +55 41 3317 5050, contato@munters.com, [Canada](#) Phone +1 517 676 7070, aghort.info@munters.com, [China](#) Phone +86 10 8048 3493, marketing@munters.cn, [Denmark](#) Phone +45 98 623 311, aghort@munters.dk, [Germany](#) Phone +49 (0) 25 58 - 93 92-0, [India](#) Phone +91 20 6681 8900, info@munters.in, [Indonesia](#) Phone +66 2 642 2670, info@munters.co.th, [Israel](#) Phone +972 3 920 6200, info@munters.co.il, [Italy](#) Phone +39 0183 5211, info@munters.it, [Japan](#) Phone +81 3 5970 0021, mkk@munters.jp, [Korea](#) Phone +82 2 7618 701, munters@munters.co.kr, [Mexico](#) Phone +52 818 2625 400, dhinfo@munters.com, [Singapore](#) Phone +65 7 446 828, info@munters.com.sg, [South Africa and Sub-Sahara Countries](#) Phone +27 11 997 2000, info@munters.co.za, [Spain](#) Phone +39 0183 5211, info@munters.it, [Sweden](#) Phone +46 8 6266 300, info@munters.se, [Thailand](#) Phone +66 2 6422 670, info@munters.co.th, [Turkey](#) Phone +90 262 7513 750, info@muntersform.com, [USA](#) Phone +1 517 676 7070, aghort.info@munters.com, [Export & Other countries](#) Phone +39 0183 5211, info@munters.it

Munters reserves the right to make alterations to specifications, quantities, etc., for production or other reasons, subsequent to publication.

© Munters AB, 2024